

# OSP60 / OSI-S / OMM-S



## Specification

<b>System principal application</b>	High-speed scanning system for on-machine process control.		
<b>OSP60 (probe)</b>	Analogue scanning probe for machine tools, capable of both 3D scanning and 3D discrete point measurements.		
<b>OMM-S (receiver)</b>	Optical receiver specific to the OSP60 probe.		
<b>OSI-S (interface)</b>	Interface that processes data from the OMM-S and provides input/output communication with the machine tool.		
<b>Transmission type</b>	Infrared optical transmission: up to 1000 3D points per second.		
<b>Probe transmission range</b>	360°. Up to 4.5 m (14.7 ft) with one receiver, or up to 9 m (29.5 ft) with two receivers.		
<b>Probe turn-on time</b>	Less than 0.5 seconds		
<b>Probe weight without shank (including batteries)</b>	1080 g (38.1 oz)		
<b>Battery type</b>	3 × CR123 3 V lithium-manganese dioxide		
<b>Battery life typical at 20 °C</b>	<b>Standby</b>	<b>5% usage</b>	<b>Continuous life</b>
Full power	121 days	320 hours <sup>1</sup>	16 hours
Low power (1/2)	121 days	620 hours <sup>1</sup>	31 hours
<b>Scanning measurement range<sup>2</sup></b>	±X, ±Y, ±Z 0.50 mm (0.020 in)		
<b>Sensor type</b>	Full 3D (simultaneous XYZ data output)		
<b>Sense directions</b>	Omnidirectional ±X, ±Y, ±Z.		
<b>Unidirectional repeatability<sup>3,4</sup></b>	±0.25 µm (10 µin) 2 σ		
<b>3D lobing in X, Y, Z<sup>3,5</sup></b>	±1.00 µm (40 µin)		
<b>Sensor resolution (µm/digit)<sup>3</sup></b>	0.025 µm (0.9843 µin)		
<b>Maximum speed<sup>6</sup></b>	Scanning up to rapid (G0) feedrate, dependent on machine tool performance and application.		
<b>Stylus length range</b>	75 mm to 150 mm (2.95 in to 5.90 in) recommended.		
<b>Stylus ball diameter range</b>	2 mm to 8 mm (0.078 in to 0.31 in) typical.		
<b>Stylus type</b>	Straight styli only. OSP60-specific styli recommended. For further information, see the information leaflet <i>Styli recommendations for OSP60 scanning probes</i> (Renishaw part no. H-5465-8102).		
<b>Stylus force</b>	<b>Spring rate<sup>3</sup></b>	<b>Measuring force<sup>3,7</sup></b>	
XY (typical)	0.8 N/mm (4.57 lb/in)	0.1 N 10 gf (0.4 ozf)	
Z (typical)	1.5 N/mm (8.57 lb/in)	0.2 N 20 gf (0.7 ozf)	
<b>Sealing</b>	BS EN 60529:1992+A2:2013 (IEC 60529:1989+A1:1999+A2:2013).		
OSP60/OMM-S	IPX8		
OSI-S	IP20		
<b>Operating temperature</b>	+5 °C to +55 °C (+41 °F to +131 °F)		
<b>OMM-S cable</b>	The OMM-S is supplied with a 15 m (49 ft) cable. Cable specification: Ø6.1 mm, 8-core, twisted pair, screened cable, each core 7 × 0.146 mm. Maximum cable length 30 m (98 ft).		
<b>Mounting</b>	A mounting bracket is available allowing directional setting. DIN rail or alternative mounting screws.		
OMM-S			
OSI-S			

## Specification (continued)

<b>OSI-S supply</b>	18 Vdc to 30 Vdc 500 mA @ 24 V nominal 4 A peak. Supply must conform to BS EN 60950-1:2006+A2:2013 (IEC 60950-1:2005+A2:2013).
<b>OSI-S output signal</b>	Voltage-free solid state relay (SSR) output, configurable normally open or normally closed. 'On' resistance = 50 Ω max. Load voltage = 50 V max. Load current = 60 mA max.
<b>OSI-S input/output protection</b>	Power input is protected by a 1.85 A resettable fuse. Turning on the power supply will reset the OSI-S.
<b>Controller compatibility</b>	Contact Renishaw for system compatibility requirements.

<sup>1</sup> Calculated value.

<sup>2</sup> Maximum allowed distance between the nominal scan line and the actual scan line. Full 3D performance on a vertical machining centre with a 75 mm stylus. In some applications, this range can be extended. Contact your local Renishaw representative for more information.

<sup>3</sup> Typical for a 100 mm stylus.

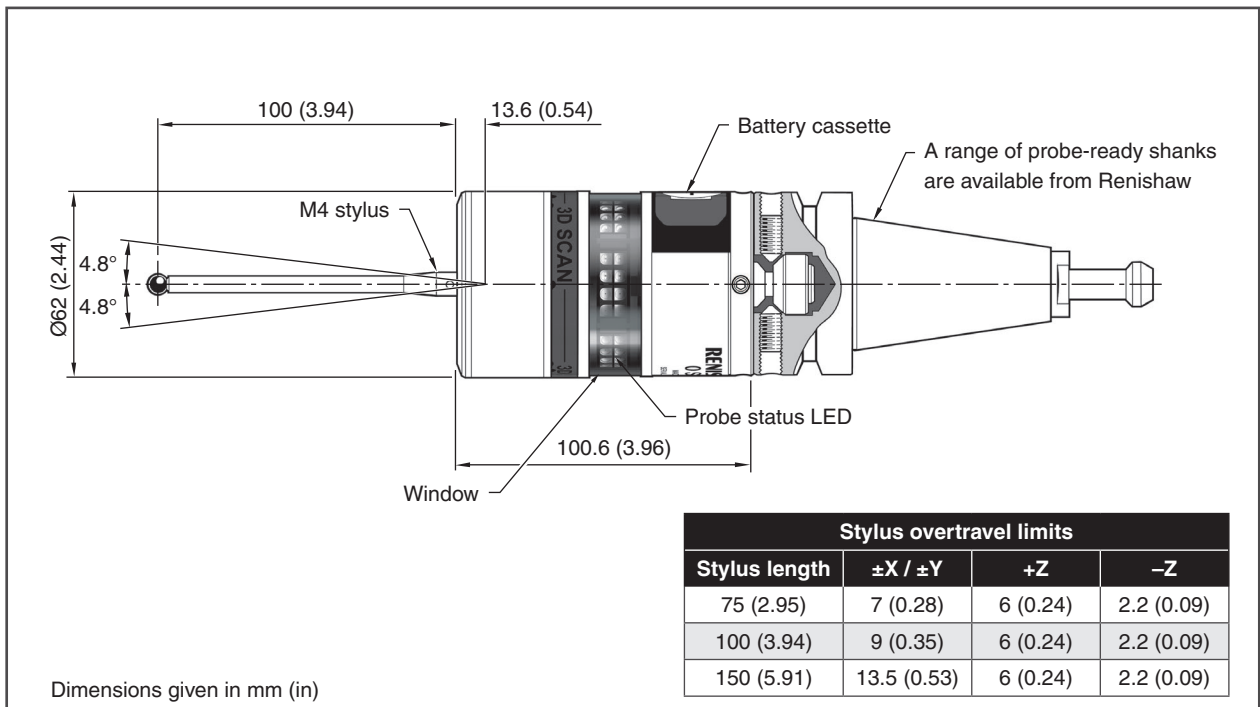
<sup>4</sup> Productivity+ discrete point measurement on a DMG Mori DMU40.

<sup>5</sup> Productivity+ 100 point 3D sphere discrete point measurement on a DMG Mori DMU40.

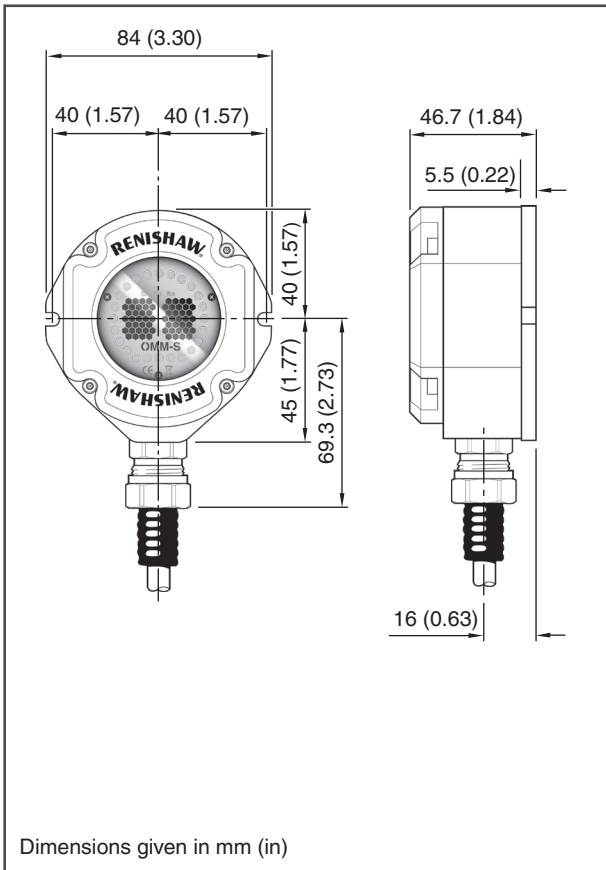
<sup>6</sup> Maximum feedrate for over deflection protection is F40000 in Z and F60000 in XY.

<sup>7</sup> Force at which the status signal changes for touch trigger. Assumes a trigger threshold of 0.125 mm (0.0049 in).

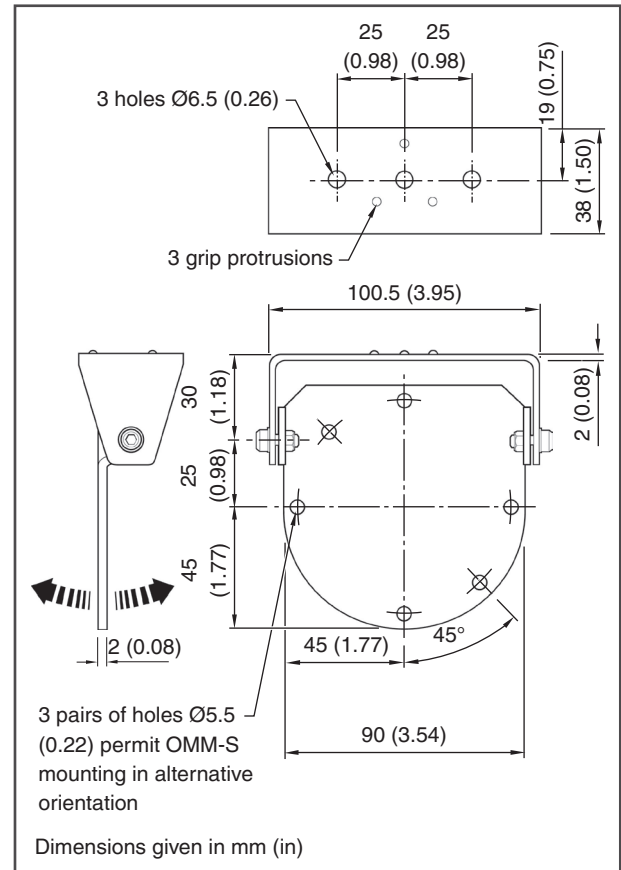
## OSP60 dimensions



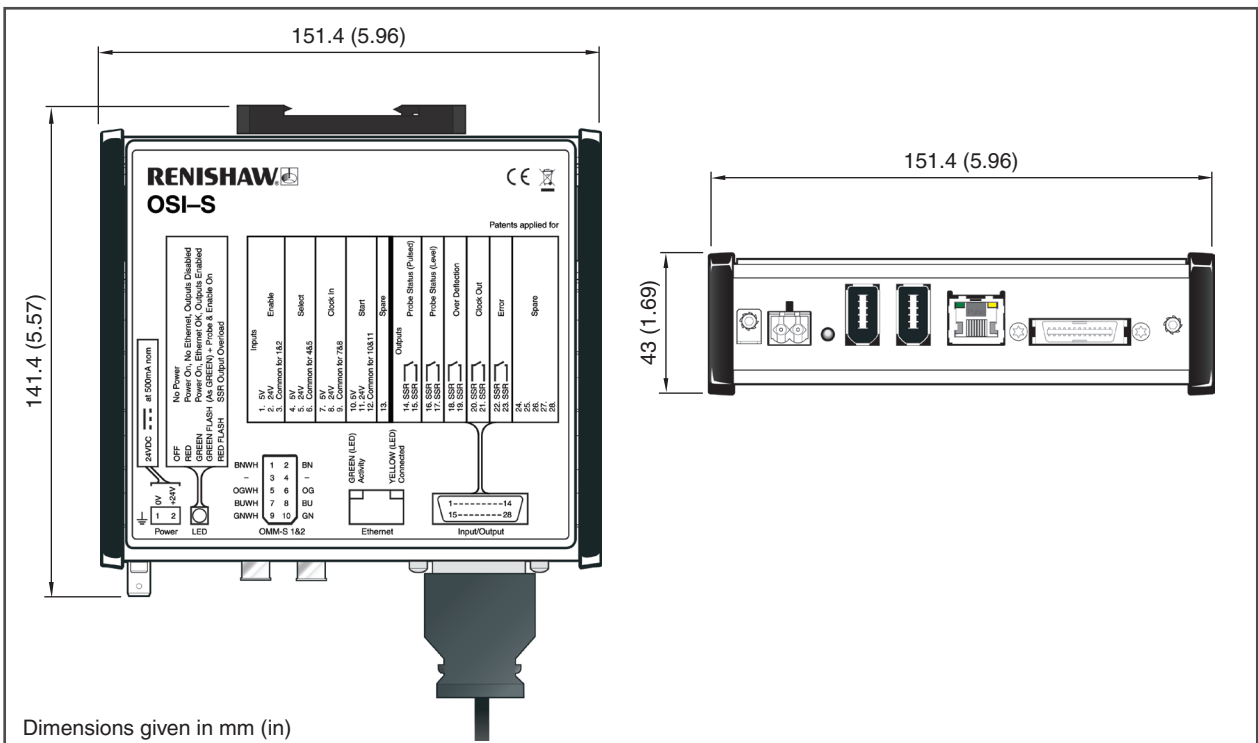
## OMM-S dimensions



## OMM-S mounting bracket (optional)



## OSI-S dimensions

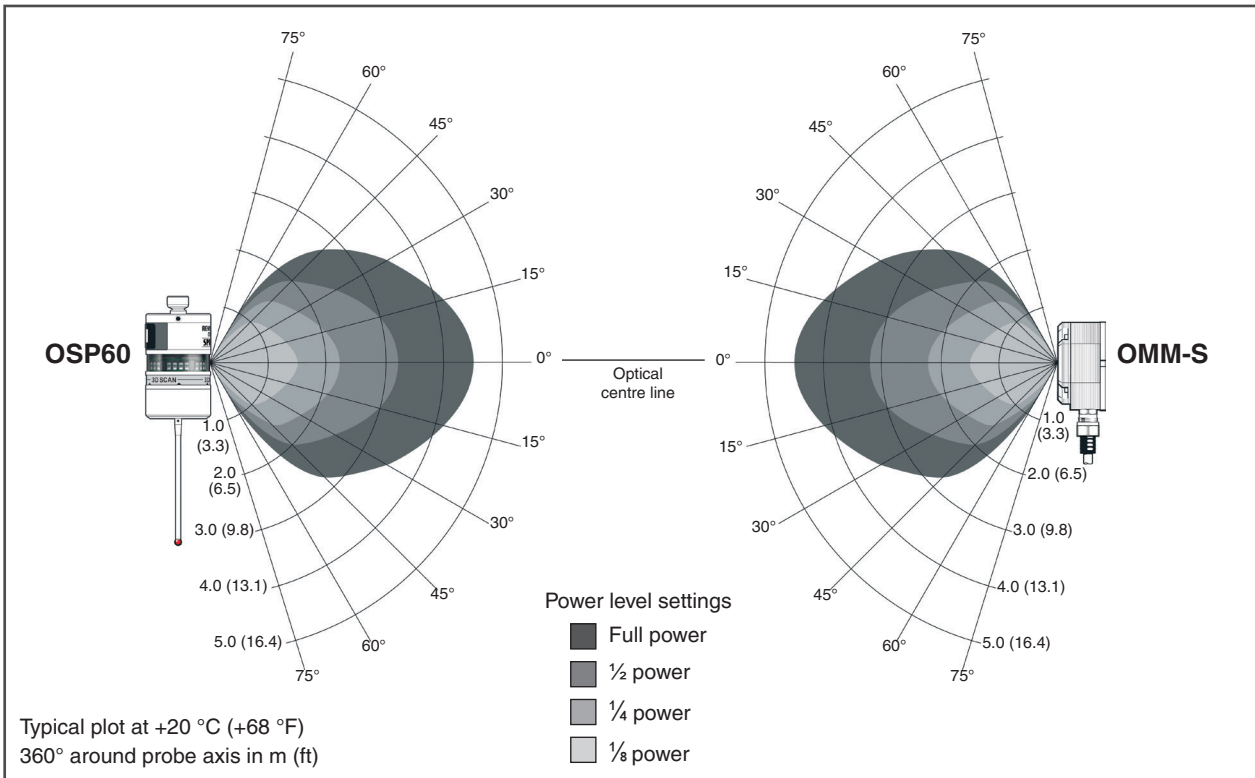


## Transmission performance envelope

The system performance envelope and range is shown below.

The system components should be positioned so that the optimum range can be achieved over the full travel of the machine's axes, taking into account likely part positions on a moving machine table. The system uses optical infrared transmission and requires line-of-sight.

When possible, the optical power of the probe can be reduced to maximise battery life and the optical power of the receiver can be reduced to prevent interference with systems on adjacent machines.





## Spare parts and accessories

A full range of spare parts and accessories is available. Contact Renishaw for a full list.

[www.renishaw.com/contact](http://www.renishaw.com/contact)

 #renishaw

 +44 (0) 1453 524524

 [uk@renishaw.com](mailto:uk@renishaw.com)

© 2015–2023 Renishaw plc. All rights reserved. This document may not be copied or reproduced in whole or in part, or transferred to any other media or language by any means, without the prior written permission of Renishaw.

RENISHAW® and the probe symbol are registered trade marks of Renishaw plc. Renishaw product names, designations and the mark 'apply innovation' are trade marks of Renishaw plc or its subsidiaries. Other brand, product or company names are trade marks of their respective owners.

WHILE CONSIDERABLE EFFORT WAS MADE TO VERIFY THE ACCURACY OF THIS DOCUMENT AT PUBLICATION, ALL WARRANTIES, CONDITIONS, REPRESENTATIONS AND LIABILITY, HOWSOEVER ARISING, ARE EXCLUDED TO THE EXTENT PERMITTED BY LAW. RENISHAW RESERVES THE RIGHT TO MAKE CHANGES TO THIS DOCUMENT AND TO THE EQUIPMENT, AND/OR SOFTWARE AND THE SPECIFICATION DESCRIBED HEREIN WITHOUT OBLIGATION TO PROVIDE NOTICE OF SUCH CHANGES.

Renishaw plc. Registered in England and Wales. Company no: 1106260. Registered office: New Mills, Wotton-under-Edge, Glos, GL12 8JR, UK.

Part no.: H-5465-8200-06-B

Issued: 09.2023