

## 1080p 60fps High Definition 10x Zoom Module

**HD-SDI TVI 2.0 EX-SDI CVBS**

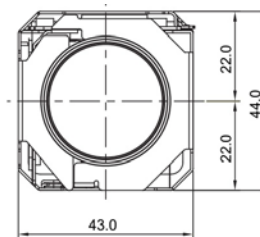
<b>1/3"</b>	60fps Full HD		OVER 300m	30fps REAL
<b>CMOS</b>	<b>1080p</b>	<b>HD-SDI</b>	<b>EX-SDI</b>	<b>WDR</b>
<b>AF</b>	<b>x10</b>	<b>3</b>		
<b>ZOOM</b>	<b>ZOOM</b>	<b>DNR</b>	<b>DSS</b>	<b>MOTION</b>



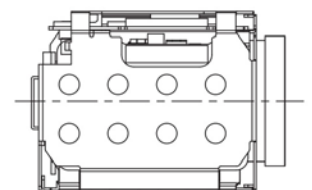
- High Definition 10x Zoom Modul
- 1080/60p,1080/50p,1080/30p,1080/25p
- 720/60p,720/50p,720/30p,720/25p
- 1/3" type CMOS imager
- 2,12M effective pixels
- 10x Optical Zoom 5.1 – 51mm
- 32x Digital Zoom
- HD Output HD-SDI, EX-SDI, TVI2.0
- SD Output VBS
- Day & Night (ICR)
- Advanced 2D and 3D noise reduction
- Digital Image Stabilizer
- Minimum Illumination 0.125lx
- VISCA, Pelco-D, Pelco-P protocol
- Programmable factory preset
- High Performance Digital Signal Processor
- Various customizable settings
- Electronic Shutter / Slow Shutter
- Picture Freeze Function
- Spot AE

Dimensions

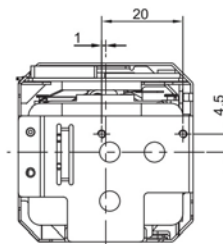
Unit: mm



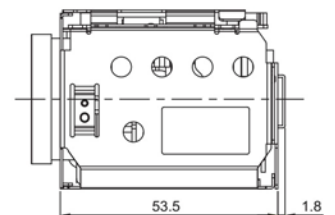
FRONT



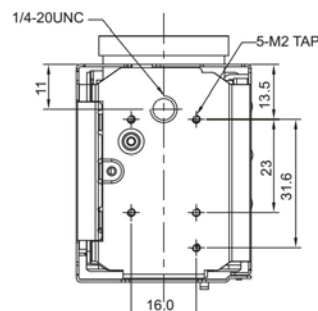
LEFT SIDE



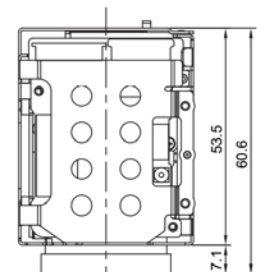
BACK



RIGHT SIDE

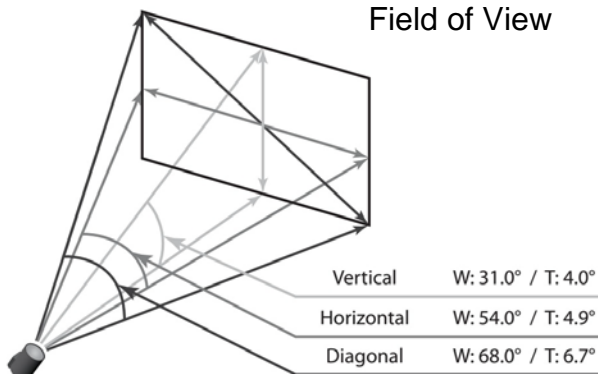


BOTTOM



TOP

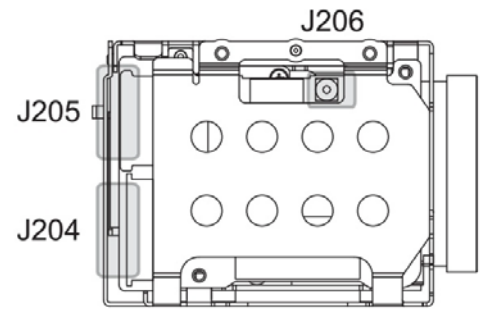
Field of View



# Zoom Kamera 20Z10ST

## Spezifikation

Image Sensor	1/3" Panasonic CMOS Sensor			
Totale Pixel	1956 (H) x 1266 (V) = 2.48M Pixels			
Active Pixels	1944 (H) x 1092 (V) = 2.12M Pixels			
Scanning System	Progressive Scan			
Sync. System	Internal			
Resolution	Digital : 1080p/60(50)fps, 1080p/30(25)fps, 720p/60(50)fps, 720p/30(25)fps			
	Analog : 700TVL			
Min. Illumination	Color : 0.5 lux , BW : 0.1lux			
	Color DSS : 0.125 lux , BW DSS : 0.025 lux			
Video Output	HD : HD-SDI, EX-SDI, TVI 2.0			
	Analog SD : VBS(without WDR)			
S/N Ratio	more than 50dB (AGC off)			
Lens Type	x10 Day & Night Zoom Lens			
Zoom Ratio	Optical x10, Digital x32 Zoom			
Focal Length	f = 5.1mm ~ 51mm			
Aperture Ratio	F1.6(wide) ~ F1.8(tele)			
Angle Of View(D, H, V)	Wide	68°	54°	31°
	Tele	6.7°	4.9°	4.0°
Focus	Mode / Distance / Zoom Speed / Lens Refresh / E.Zoom			
Mode	Auto / One Push / Manual			
Distance	0.01 / 0.1 / 1.0 / 3.0 / 6.0 / 10.0 m			
Lens Refresh	One Push / 1 ~ 10Day			
Digital Zoom	Off / MAX x2 ~ x32			
Exposure	Auto / Iris.P / Shut.P / Manual			
Gain Control(AGC)	Off / On			
Shutter Speed	1/30(25) ~ 1/30,000 sec			
Iris	0 ~ 20			
Digital Slow Shutter(DSS)	Off / x2 / x4(x8 : 60 or 50 fps mode only)			
Brightness	0 ~ 20 steps			
WDR/BLC	Off / WDR / BLC			
Day&Night	Auto / Day / Night / Ext-in			
White Balance	Auto / One Push / Manual / Indoor / Outdoor			
HLC	Off / On / Night Only			
DNR	Auto / Off / Low / Middle / High			
Mirror	Off / H / V / H&V			
Sharpness	0 ~ 10 steps			
ACE	Off / Low / Middle / High			
Defog	Off / On(Auto / Manual)			
Privacy Mask	Off / 24 positions			
Motion Detection	Off / 3 positions			
Defect Detection	Off / On			
System	NTSC / PAL			
HD Format	1080p/30(25)fps / 1080p/60(50)fps / 720p/30(25)fps / 720p/60(50)fps			
Communication	Baud Rate : 2400 / 4800 / 9600 / 19200 / 38400 / 57600 / 115200			
	Protocol : VISCA / Pelco-D / Pelco- P / Update			
Language	English / Simplified & Traditional Chinese / Japanese			
Power Source	9V to 15V DC			
Power Consumption	250mA			
Power Input	Connector			
Video Output	Connector			
Storage Temperature	-20°C ~ +60°C (Humidity : 0%RH ~ 90%RH)			
Operating Temperature	-10°C ~ +50°C (Humidity : 0%RH ~ 90%RH)			
Dimensions	43(W) x 44(H) x 61(D)			
Weight	112g			



J205	
1	RXD
2	TXD
3	GND
4	DC 12V_IN
5	GND
6	VIDEO
7	GND
8	TVI_OUT
9	GND

Ref 6200-509-130(KYOCERA)

J206	
1	HD-SDI Output
2	Board Ground

Ref RF Connector – MMCX

J204	
1	GND
2	TxD
3	RxD
4	TVI_ON
5	GND
6	TVI_OUT
7	GND
8	ADKEY
9	IR-ON
10	D/N-IN
11	EX-SDI_ON
12	MD-OUT
13	485-DIR
14	F/W_SEL
15	GND
16	+5V_OUT
17	GND
18	VBS-OUT
19	GND
20	DC 12V
21	DC 12V
22	DC 12V
23	DC 12V
24	DC 12V

Ref 05002HR-24J05(YEONHO)