



# Desktop

## Compact Manual Welding Laser

The Coherent Desktop laser is an all-purpose, compact system for manual welding that delivers exceptional value. This makes it an ideal entry level tool for those first getting started in laser welding. To ensure reliability and high quality process results, the system features computer controlled laser pulses and monitored cooling. Easy work-piece positioning via stereo microscope and a weld assist system offer optimal results, even for inexperienced users. The efficient housing design provides a large working chamber, yet the system is compact enough to fit into tight spaces.

### FEATURES & BENEFITS

- Compact and modern housing design with small footprint
- Color TFT touch display
- Leica microscope
- TrueView™
- ECOMode™
- Weld assist systems
- Easy set-up, automatic adjustment to line voltage

### CONFIGURATION PACKAGE

- XEPower includes
  - Power upgrade
  - SPEEDmode™
  - BURSTmode™
  - RAMPmode™

### APPLICATIONS

- Manual Laser Welding of Metals

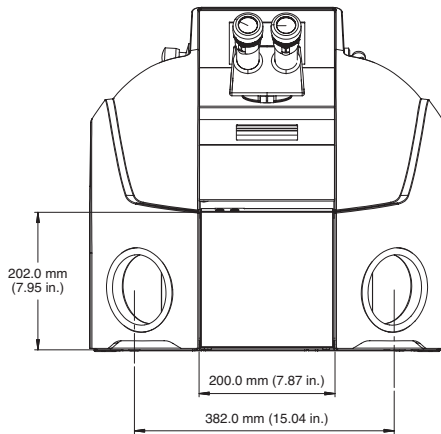


SPECIFICATIONS	Desktop	XE-Power
Nominal Power (W) (SPEEDmode™)	60 (100)	80 (120)
Pulse Peak Power (kW)	8	8
Pulse Energy (J)	60	100
Pulse Frequency (Hz) (SPEEDmode™)	single pulse 50 (100)	
Pulse Width (msec)	0.3 to 50	
Focal Diameter (mm)	0.3 to 2	
UTILITIES		
Electrical	110/230 V, 60/50 Hz, 16/13 A (single-phase)	
POWER CONSUMPTION		
Nominal Power (W)	1700	
ECOmode (W)	10	
MEASURES		
Dimensions (L x W x H)	754 x 521 x 505 mm (29.7 x 20.5 x 19.9 in.)	
Weight (approximate)	54 kg (119 lbs.)	
CONFIGURATION		
<ul style="list-style-type: none"> <li>- Laser-safe housing with front flap</li> <li>- Leica stereo binocular</li> <li>- Color TFT touch screen</li> <li>- Parameter setting inside working chamber</li> <li>- Integrated water-air cooling with DI filter</li> <li>- Integrated exhaust fan</li> <li>- Connection for external exhaust unit</li> <li>- LED ring light</li> <li>- Process gas supply with flexible nozzle</li> <li>- ECOmode™</li> </ul>		
OPTIONS		
XE-Power upgrade includes PLUS-Package (SPEEDmode™, BURSTmode™, RAMPmode™)		

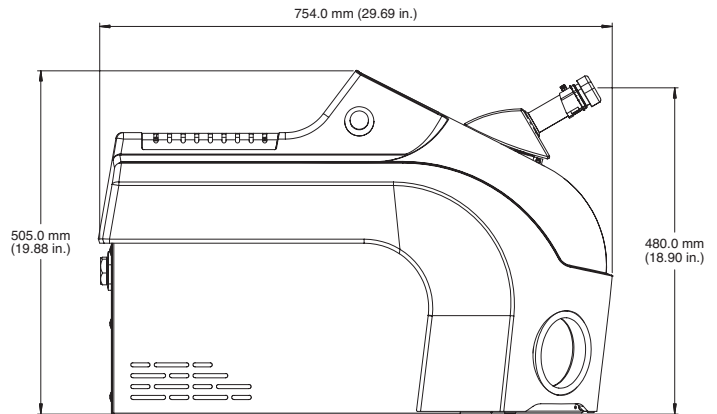
## MECHANICAL SPECIFICATIONS

### Desktop

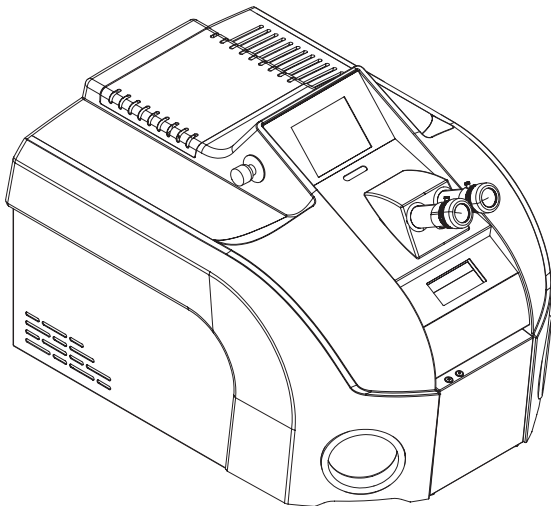
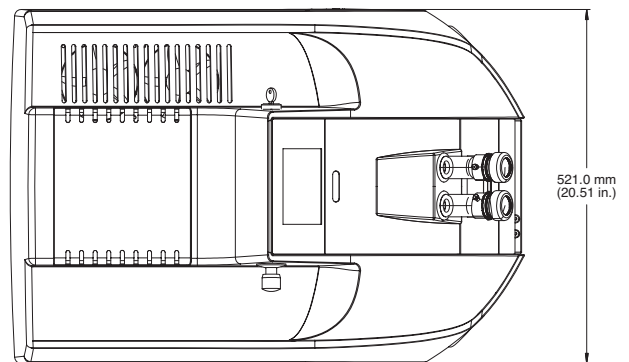
Front View



Side View



Top View



Coherent, Inc.,  
 5100 Patrick Henry Drive Santa Clara, CA 95054  
 p. (800) 527-3786 | (408) 764-4983  
 f. (408) 764-4646

[tech.sales@coherent.com](mailto:tech.sales@coherent.com) [www.coherent.com](http://www.coherent.com)

Coherent follows a policy of continuous product improvement. Specifications are subject to change without notice.  
 Coherent offers a limited warranty for all Desktop Compact Welding Lasers. For full details of this warranty coverage, please refer to the Service section at [www.coherent.com](http://www.coherent.com) or contact your local Sales or Service Representative.  
 MC-006-19-0M0919 Copyright ©2019 Coherent, Inc.

