

WDM Filter, 100 GHz Extrawide Passband, Low CD for 40 Gbps Applications

DWS Series



Lumentum ITU components are the result of years of telecommunication experience in interference filter technology. Individual components are available on ITU channel spacings of 200 and 100 GHz, as well as on bands of ITU channels.

Lumentum ITU components are the evolution of industry-standard 100 GHz ITU components. Manufactured using laser welding technology, these devices exceed Telcordia GR-1221 requirements. They are designed for the lowest chromatic dispersion and demonstrate low insertion loss, temperature insensitivity, and reliable performance in any system application.

Used within mux/demux and add/drop applications, Lumentum ITU components provide the utmost flexibility in single ITU channel management. They offer a simple solution to wavelength routing and are optimized to supply maximum bandwidth and isolation, yet maintain very low chromatic dispersion.

Established volume capability and proven experience in customizing fiber optic components and modules make Lumentum the supplier of choice.

Key Features

- Lowest chromatic dispersion
- Exceptional reliability and environmental stability
- Low insertion loss
- Flat and extrawide passband
- High demux channel isolation

Applications

- Metro networks
- Long-haul networks
- Denser channel plans
- 40 Gbps application

Compliance

- Telcordia GR-1221

Specifications

Parameter		DWS-1Fxxx3Lxx	DWS-1Fxxx3Lxx-WB
Passband width	Minimum	±14.1 GHz ($\approx \pm 0.115$ nm)	±17.5 GHz (± 0.14 nm)
Transmission passband ripple	Maximum	0.3 dB	0.3 dB
Reflection passband ripple	Maximum	0.2 dB	0.3 dB
Transmission insertion loss ¹	Maximum	1.1 dB	1.1 dB
Reflection insertion loss ¹	Maximum	0.45 dB	0.55 dB
Transmission isolation (adjacent channel)	Minimum	25 dB	23 dB
Transmission isolation (non-adjacent channel)	Minimum	50 dB	50 dB
Reflection isolation	Minimum	16 dB	15 dB
Transmission chromatic dispersion	Maximum	±17 ps/nm	±17 ps/nm
Reflection chromatic dispersion	Maximum	±17 ps/nm	±20 ps/nm
Optical return loss	Minimum	45 dB	45 dB
Directivity	Minimum	50 dB	50 dB
Polarization dependent loss	Maximum	0.1 dB	0.1 dB
Polarization mode dispersion	Maximum	0.1 ps	0.16 ps
Optical power handling	Maximum	1 W	
Operating temperature range		-5 to 75°C	
Storage temperature range		-40 to 85°C	
Fiber type		9/125/250 μ m fiber, 9/125/900 μ m fiber	
Fiber length		1.5±0.1m	
Package dimensions (\varnothing x L)		5.5x35.4 mm (excluding strain reliefs) 5.5x42.9 mm	


1. Excludes connector insertion loss

Ordering Information


For more information on this or other products and their availability, please contact your local Lumentum account manager or Lumentum directly at customer.service@lumentum.com.

DWS-1F  3L

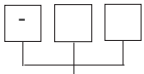
Channel Frequency
Provided by Lumentum upon customer confirmation



Code	Fiber Type
2	250 μ m fiber ¹
9	900 μ m fiber



Code	Connector Type ²
0	No connector
2	FC/SPC
3	FC/APC
4	SC/SPC
5	SC/APC
6	LC/UPC



Code	Passband Width
None	± 14.1 GHz ($\approx \pm 0.115$ nm)
WB	± 17.5 GHz (± 0.14 nm)

1. No connector available with this option.
2. Other connectors available upon request.

Telcordia is a registered trademark of Telcordia Technologies Incorporated.



North America
Toll Free: 844 810 LITE (5483)

Outside North America
Toll Free: 800 000 LITE (5483)

China
Toll Free: 400 120 LITE (5483)

© 2015 Lumentum Operations LLC
Product specifications and descriptions in this document are subject to change without notice.