

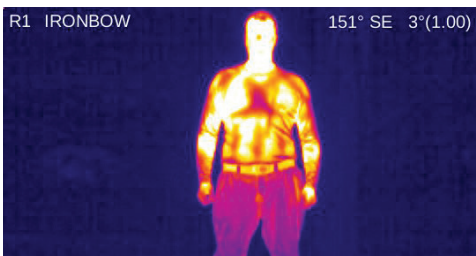


## THERMAL IMAGING MONOCULAR

# FLIR BREACH<sup>®</sup> PTQ136

Built for the rigors of law enforcement, the FLIR Breach PTQ136 spots the heat of suspects and objects in total darkness. Featuring the new FLIR Boson core and a compact design, the FLIR Breach offers unmatched tactical awareness. Weighing only 7.4 ounces (210 grams), the FLIR Breach can be concealed in a pocket or mounted to a helmet with its mini-rail feature, while adding minimal weight to officers' heavy gear. Additional features include onboard recording and seven palettes for fast detection of suspects or evidence, day or night.

[www.flir.com](http://www.flir.com)



### EXCEPTIONAL VISION

The advanced image processing of the Breach PTQ136's internal FLIR Boson thermal core and a bright high definition display create excellent image clarity and provide better detection and classification, day or night.

#### Custom Viewing

- Multiple thermal image palettes create a fully customizable viewing experience

#### Digital Compass and Inclinometer

- Great situational awareness with integrated object orientation



### FLEXIBLE MOUNTING OPTIONS

For hands-free operation, Breach PTQ136 has multiple mini-rail mounting points designed to allow for a wide variety of head mounts, helmet mounts, and to install additional equipment.

#### Built-In Recording

- Internal storage of up to 2.5 hours of recording or up to 1,000 pictures

#### Iconic FLIR Warranty

- Enjoy FLIR's 10-year Detector warranty



### SUPERIOR VALUE

The Breach PTQ136 is packed with features. Document operations with on-board video recording and image capture. Choose from multiple palettes to perfect viewing during varied situations. Enhance situational awareness with a digital compass/inclinometer.

#### Made in the USA

- Have the peace of mind that comes from knowing your gear is made and supported in the USA

## SPECIFICATIONS

General		FLIR Breach PTQ136
Detector Type		320 x 256 VOx Microbolometer
Refresh Rate		60 Hz
Start Up		<5 seconds
Image Processing		FLIR Proprietary Digital Detail Enhancement™
Lens System		9.1 mm; F/1.04
Optical Magnification		1×
Field of View (H x V)		24° x 19°
Digital e-Zoom		1x - 4x continuous
Diopter Adjustment Range		-5 to +5 dpt
Focusing Range		0.25 m to infinity
Eye Relief		16 mm
Display		Quad-VGA (1280 x 960) FLCOS
Video Output		Digital Video
Internal Memory		Up to 1,000 images and 2.5 hours of video on internal memory
Temperature Imaging Modes (Image Palettes)		White Hot, Black Hot, Rainbow HC, Ironbow, Sepia, Arctic, Outdoor Alert
User Interface		
Control Panel Buttons		Configures Operational Settings: <ul style="list-style-type: none"> <li>• Unit On/ Off</li> <li>• Display Brightness Control</li> <li>• Digital Zoom Control</li> <li>• Image Capture and Video Record Control</li> <li>• On-Screen Menu Navigation</li> <li>• NUC</li> </ul>
Diopter Adjustment Ring		Adjusts the Eyepiece Diopter
Interfacing		
USB-C Connector		Power In; Video out; Video and image files transfer
Power		
Battery Type		One CR123A 3V Lithium battery
Battery Life (Operating)		Up to 90 minutes at 20°C
USB Power		5 VDC

Environmental	
Operating Temperature Range	-20°C to +50°C (-4°F to +122°F)
Storage Temperature Range	-40°C to +60°C (-40°F to +140°F)
Physical	
Weight	210 g (0.46 lbs)
Size	139 x 70 x 49 mm (5.5 x 2.7 x 1.9 in)
Color (housing)	Black
Country of Origin	USA

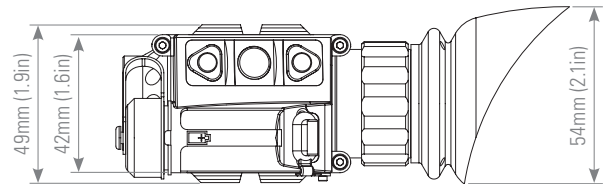
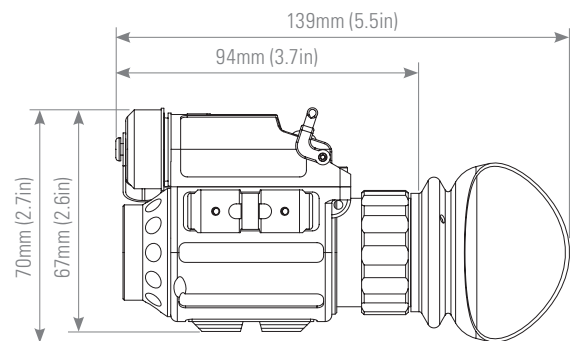
### Package Includes

Thermal Monocular, CR123A Battery, Lens Cloth, Soft Case

### Optional Accessories

ANHG000002 – Swing Arm #37 - Mini Rail Adapter to Bayonet Mount

ANHM000172 – Swing Arm #172 - Mini Rail to Dovetail Adapter



## DETECTION RANGE PERFORMANCE

9.1 mm 335 m

Ranges calculated using Johnson criteria (1.8 m man)

Specifications are subject to change without notice.  
For the most up-to-date specs, go to [www.flir.com](http://www.flir.com)

### FLIR SYSTEMS, INC.

9 Townsend West,  
Nashua, NH 03063  
Phone: 1-888-959-2259  
or (603) 321-7600  
Fax: 1-888-959-2260

### FLIR PRODUCT REPAIR CENTER

Support: <https://flir.custhelp.com/>  
Register on: [customer.flir.com](http://customer.flir.com)

### ORDER PLACEMENT, RETURN TO STOCK AND INQUIRIES

Email: [Orders@flir.com](mailto:Orders@flir.com)

### PRODUCT REGISTRATION

[flir.com/support](http://flir.com/support)

### TECHNICAL SUPPORT

<http://customer.flir.com>

[www.flir.com](http://www.flir.com)  
NASDAQ: FLIR

Equipment described herein is subject to US export regulations and may require a license prior to export. Diversion contrary to US law is prohibited. Imagery for illustration purposes only. Specifications are subject to change without notice. ©2024 FLIR Systems, Inc. All rights reserved. Updated 04/24/2024

20-0691-PVS - Breach-PTQ136



The World's Sixth Sense™