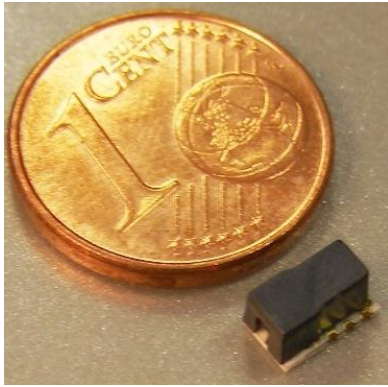
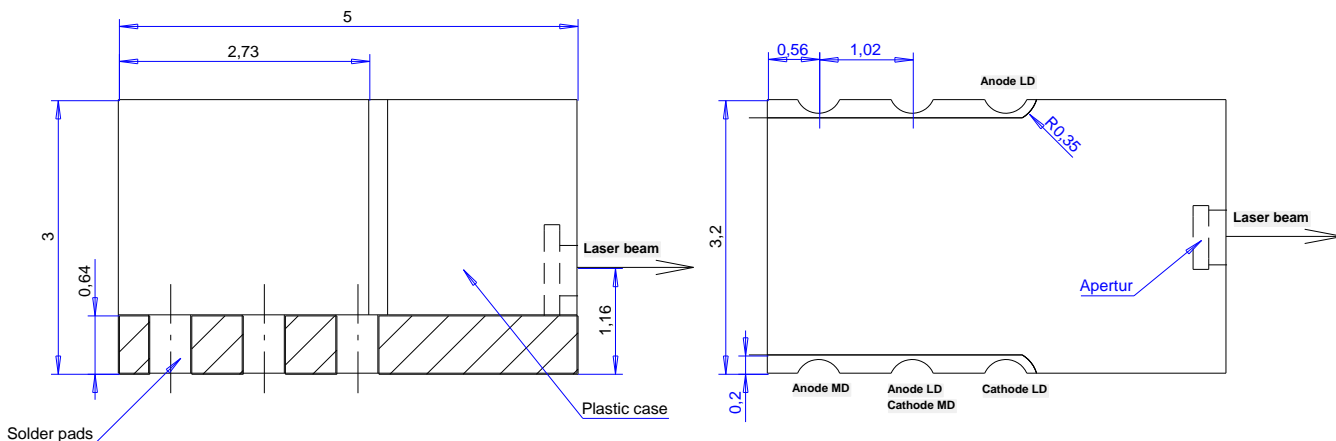


SMD-Laser Module with integrated Monitor-Diode



- ▶ Suitable for many applications of the industrial automation
- ▶ Requires very little space
- ▶ Glass lens
- ▶ SMD solder able

Mechanical Parameter	Specification	Min.	Typ.	Max.
Length			5.0mm	
Width			3.2mm	
Height			3.0mm	
Casing	Plastic			
Aperture			0.6mm	
Optical Parameter	Specification	Min.	Typ.	Max.
Laser chip	Arima (ADL-65075TL N-Type)			
Output power (LD)				10mW
Wavelength			660nm	
Lens	Spheric glass lens			
Divergence Ø at 1m			1mm	
Beam deviation			5mrad	
Aperture			0.6mm	
Temperatures		Min.	Typ.	Max.
Working temperature	Non-condensing	-10°C		70°C
Storage temperature	Non-condensing	-40°C		80°C



Specifications are subject to change without notice.

STAPELFELDT electronic GmbH, Wedeler Landstraße 11/16, D-22559 Hamburg
 Tel.: 040 / 81 96 06 34, Fax: 040 / 81 96 06 35
 E-Mail: st@stapelfeldtelectronic.de, Internet: www.stapelfeldtelectronic.de