

# ALUMILINE® LED FIXTURE

## Features

- High Brightness
- 160 degree Wide beam Light Dispersion
- Low Power Consumption
- RoHS Compliant
- No UV Emission
- Thermally Optimized
- Low Profile
- IP66
- Easy Bar to Bar Connection and Mounting



## Maximum Ratings

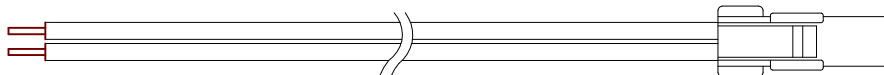
Parameter	Symbol	Rating	Units
LED Junction Temperature	$T_J$	125	°C
Operating Temperature	$T_{opr}$	-20 ~ +50	°C
Storage Temperature	$T_{stg}$	-40 ~ +85	°C
Input Voltage	$V_{in DC}$	20 - 30	Volts

## Accessories

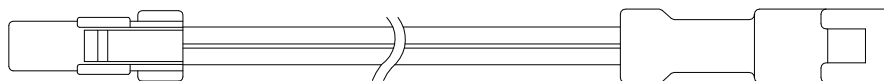
- ZPS-2435: 24V, 35 Watt Power Supply
- ZPS-2460: 24V, 60 Watt Power Supply
- ZDM-01: PWM LED Dimmer

Note: ZPS-2435 and ZPS-2460 require use of wire nuts for connections.

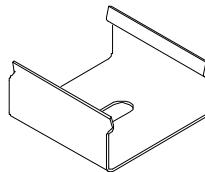
## Mating Components



ZWBL-1000-I: Input Connector



ZWBL-CH-J: Jumper Connector

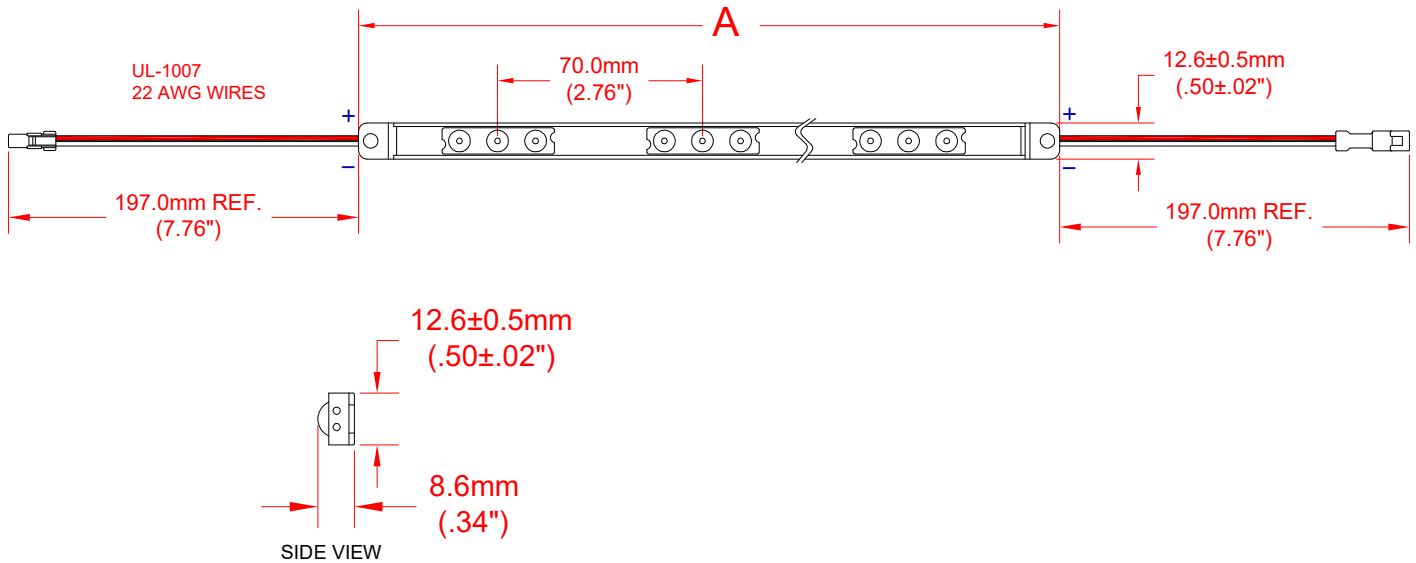


ZWF-12-C: Mounting Clip

			<b>METRIC</b>  THIRD ANGLE PROJECTION		DIMENSIONS ARE MILLIMETER (INCH) TOLERANCE UNLESS OTHERWISE SPECIFIED 1 PL +/- REF. 2 PL +/- REF. ANGLE +/- REF.		<b>JKL COMPONENTS CORPORATION</b>							
							TITLE <b>ALUMILINE® 24V DC LED FIXTURE</b>							
<b>A</b> LEAD WIRE CHANGE TO 197.0mm REF RELEASED			7/19/17 5/30/17		DRAWN BY L. WENGSTROM		APPV'D BY DATE L.R. 7/19/17		SIZE <b>A</b>		FSCM NO. <b>55335</b>		DRAWING NO. <b>ZWB-MULTI</b>	
REV. NO. DESCRIPTION/ECO NUMBER			APPV'D DATE		- CAD DRAWING - MANUAL REVISIONS NOT PERMITTED		SCALE NONE		RELEASED DATE 5/30/17		REVISION DATE 7/19/17		REV. NO. <b>A</b> SHEET 1 OF 2	

# ALUMILINE<sup>®</sup> LED FIXTURE

## Dimensions



## Electro-Optical Characteristics (Ta = 25°C)

**COLOR: COOL WHITE 6500K**

JKL Part Number	Dimension <b>A</b> ± 5.0mm (±0.2 inch)	Number LEDs	Power (W)	Current (mA)	Lumen Flux (lm)
ZWB-314-24CW	314.0 (12.36)	12	2.9	120	290
ZWB-494-24CW	494.0 (19.45)	24	5.8	242	580
ZWB-874-24CW	874.0 (34.41)	36	8.7	362	870
ZWB-1154-24CW	1154.0 (45.43)	48	11.6	483	1160

**JKL** COMPONENTS CORPORATION

DRAWING NO.

ZWB-MULTI

RELEASED DATE

5/30/17

REVISION DATE

7/19/17

REV. NO.

A

SHEET

2 OF 2