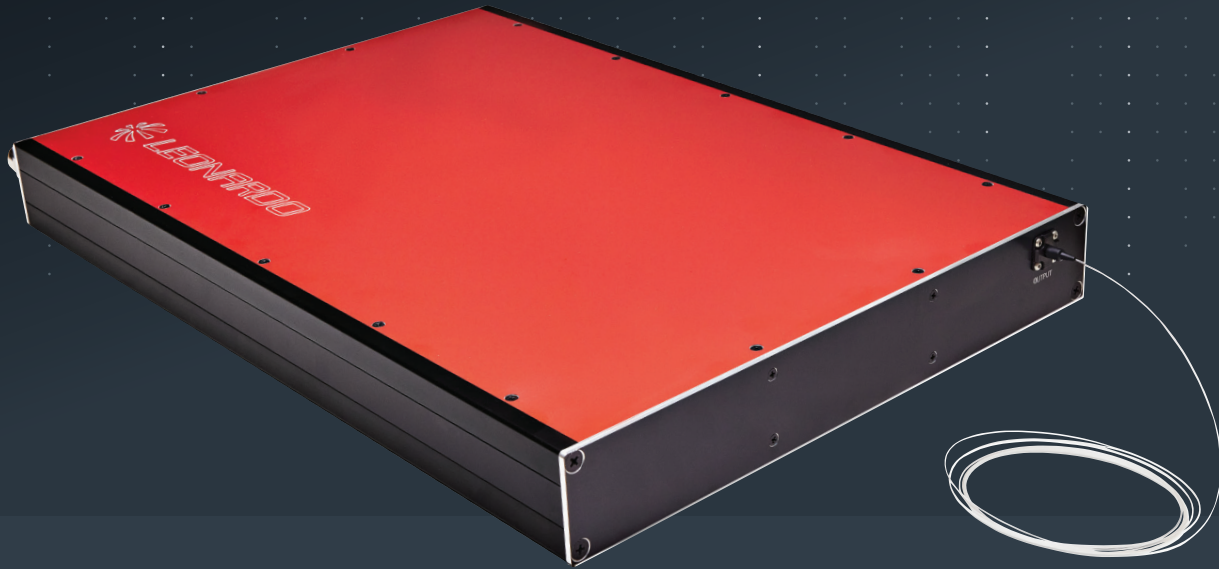


# FIBER AMPLIFIER



Leonardo's fiber amplifier is the core building block for fiber laser systems. The A20 is optimized for spectral beam combination and is the first in a series of fiber amplifiers. Leveraging Leonardo's fully integrated US-based manufacturing line, our products are engineered to reliably deliver world-class performance.

## KEY FEATURES

- Industrially and military rugged
- Configurations available for spectral or coherent beam combinations
- Low size and weight
- Long operating lifetime
- Integrated electronics and controls

## TYPICAL FIBER AMPLIFICATION SPECIFICATIONS

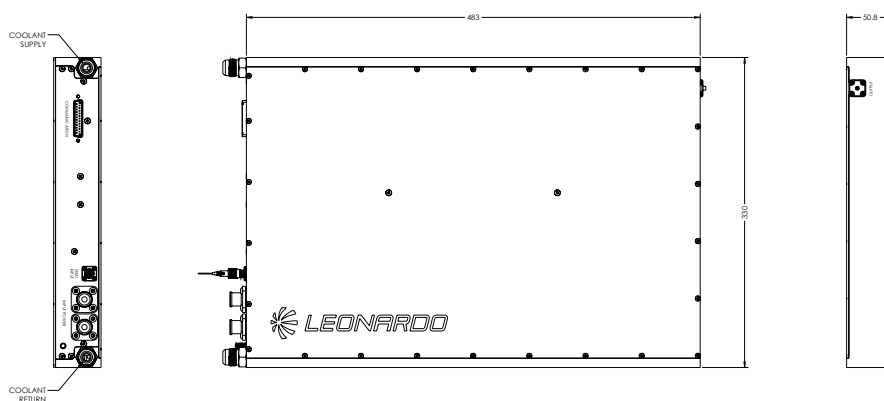
Description	
Product Type	A20 - Fiber Amplifier
Cooling Type	Filtered Water

Typical Parameters (at 20°C)	Units	Typical Value
<b>Optical</b>		
CW Input Signal	mW	20
CW Output Power	W	2500
Signal Wavelength Range	nm	1050 -1080
Linewidth (3dB)	GHz	30
Electrical-Optical Efficiency	%	35
Beam Quality (M2)		≤1.1

<b>Mechanical</b>		
Package Mass (dry)	kg	12
Package Volume	cm <sup>3</sup>	8000
Delivery Fiber Length	m	1
Fiber Termination		Bare
Coating Diameter	μm	550
Clad Diameter	μm	400
Core Diameter	μm	19

<b>Input Specifications</b>		
Voltage (DC)	VDC	80 -270
Communication		Ethernet RS-485

## MECHANICAL SPECIFICATIONS



Leonardo Electronics US Inc.  
 7775 N. Casa Grande Highway  
 Tucson, AZ - 85743 - USA  
 520 744 5700  
 sales@leonardo.us

Patent Numbers:  
 US 7,660,335 | US 7,864,825 | US 6,352,873 | US 6,295,307

Certifications:  
 AS 9100D Including ISO 9001:2015 Aerospace  
 ISO 13485:2016 Medical  
 IATF 16949:2016 Automotive  
 ISO 14001:2015 Environmental Management System



leonardo.us

