

PSH 35/1

1-Axis Mirror Tilting Platform



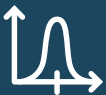
Compact size



Tilting range 35 mrad (2°)



Sub- μ rad resolution



1.2 kHz resonant frequency



The piezo mirror positioner PSH 35 was developed for the dynamic motion of small mirrors. The construction design makes it possible to reach a tilting angle of 35 mrad. It can easily be integrated into more complex stages because of its compact size.

The PSH 35 mirror positioning element can be driven by any of the power supplies from piezosystem jena. We recommend a maximum operating voltage of 100 V for permanent work under OEM conditions.

The element is normally delivered without a mirror. A mirror can be attached by gluing.

Variants:

- With strain gauge (SG)

Recommended Controller:

NV200/D Net

Applications

- Laser Alignment
- Scanning Systems
- Medical Engineering
- Laser Beam Stabilization
- Laser Beam Metrology

PSH 35/1

Technical Data

	<i>Unit</i>	<i>PSH 35/1</i>	<i>PSH 35/1 SG</i>
Part #	-	K-232-00	K-232-01
Axes	-	1	1
Motion open ($\pm 10\%$)/ closed loop*	mrad ($^{\circ}$)	35 (2°)	35/26 ($2^{\circ}/1.5^{\circ}$)
Capacitance ($\pm 20\%$)**	μF	3.8	3.8
Resolution (open-loop/closed-loop)***	μrad	0.07/-	0.07/0.7
Feedback Sensor	-	-	Strain Gauge
Typ. Repeatability	μrad	-	3
Typ. Nonlinearity	%	-	0.3
Resonant Frequency (unloaded)	Hz	1200	1200
Voltage	V	-20 ... 130	-20 ... 130
Connector	-	LEMO 05.302	LEMO 05.302/ LEMO 05.304
Operating Temperature	$^{\circ}\text{C}$	-20...+80	-20...+80
Material	-	Aluminum/ Stainless Steel	Aluminum/ Stainless Steel
Dimensions (WxHx \varnothing)	mm	60x25x14	60x25x20
Mass	g	50	65

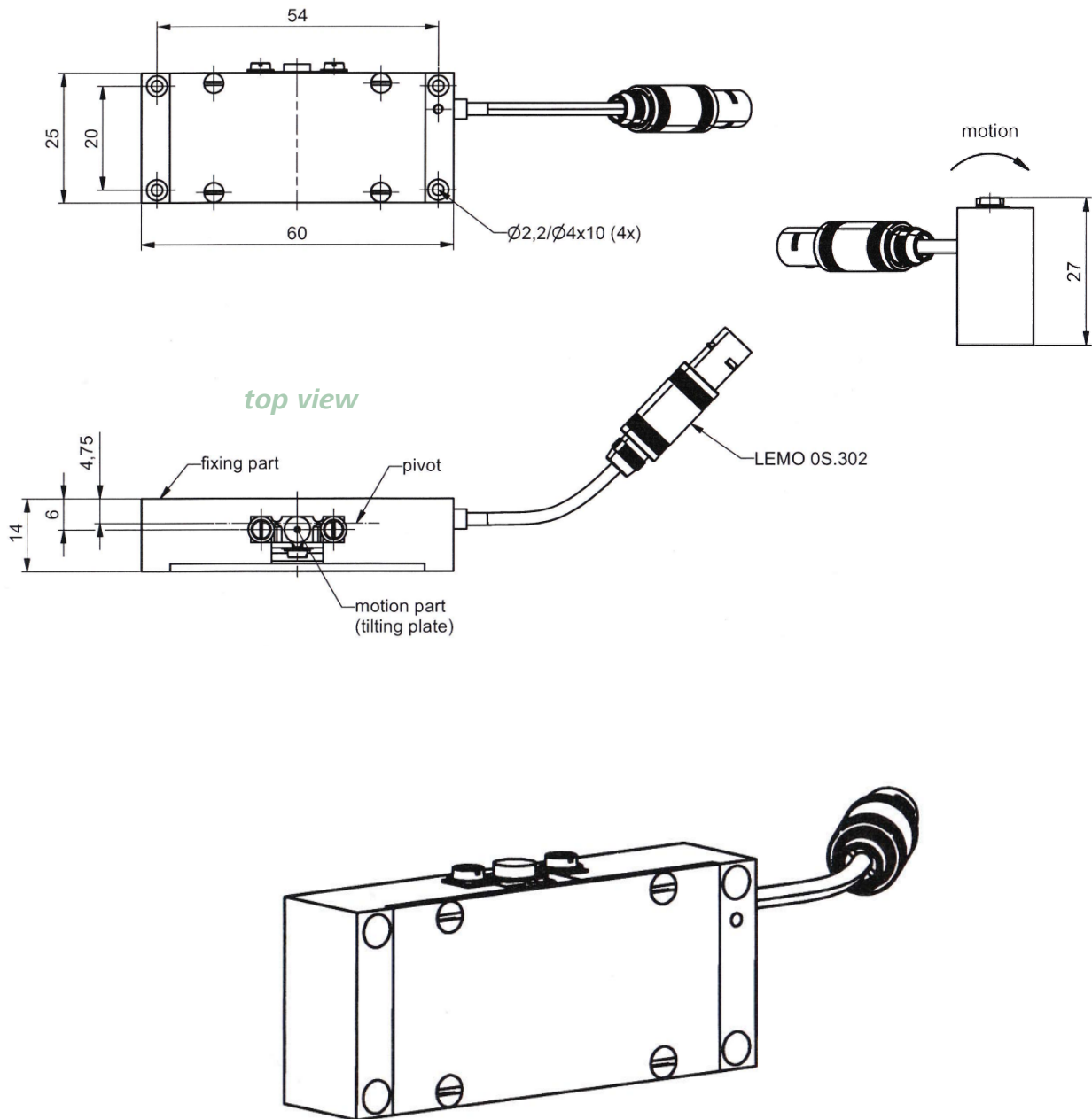
* Typical value measured with 0.3 mV noise controller.

** Typical value for a small electrical field strength.

*** The resolution is only limited by the noise of the controller.

PSH 35/1

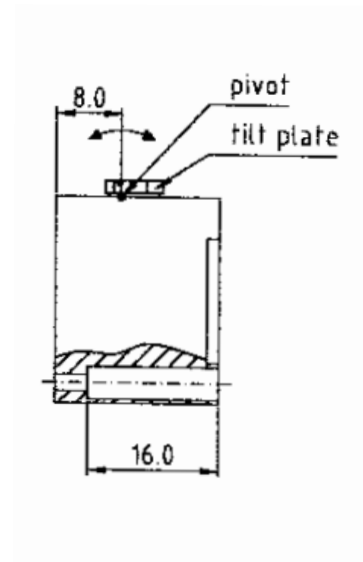
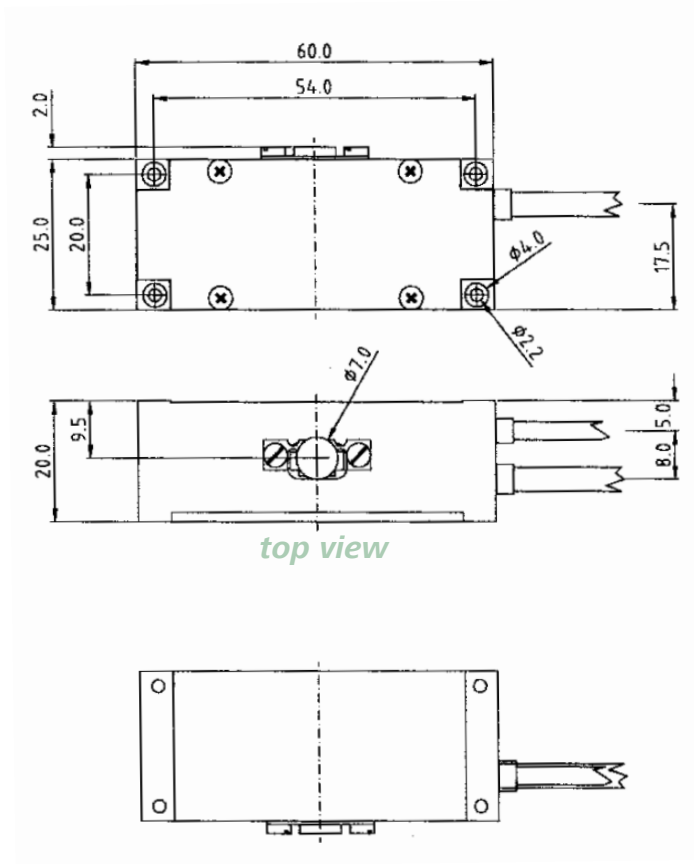
Part Drawing



Dimensions given in mm.

PSH 35/1 SG

Part Drawing



Dimensions given in mm.

We reserve the right to make changes to technical data and designs in the interest of technical progress.

piezosystem jena GmbH
Tel: +49 (3641) 66880
E-Mail: info@piezojena.com

piezosystem jena, Inc.
Tel: +1-508-634-6688
E-Mail: contact@psj-usa.com

www.piezosystem.com