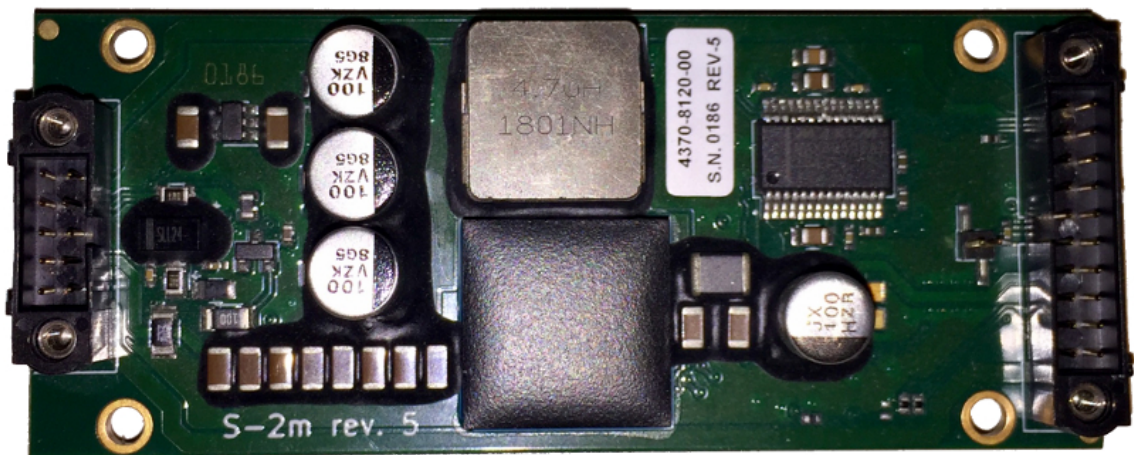




S-2M DRIVER USER MANUAL



Version number 1.0.0
©2022 ALPES LASERS SA

COPYRIGHT INFORMATION

This manual can be copied and distributed under the following conditions: the work must be attributed in the manner specified by the author or licensor, and cannot be altered or transformed.

WARRANTY

1. The customer must control the incoming deliveries and inform ALPES LASERS about incomplete shipments or defective goods within 30 days after delivery. ALPES LASERS warrants that the products respect the performance set forth in the quotation, provided that the product is used according to ALPES LASERS recommendations described in the datasheet included in the shipment.
2. Defective products will be replaced during the 2 years following delivery.
3. All other claims such as purchase refund, product reconditioning or damage of any nature, be it direct, indirect or consequential, are expressly ousted.
4. The customer is aware of laser products being devices with a statistical rate of failure. Depending on the use made of this product, it is the customer's responsibility to use caution, redundancy and appropriate technical measurement to ensure the final product's proper operation.
5. In case of discrepancy between the manual and terms written in the order confirmation, the order confirmation prevails.

CONTACT INFORMATION

Avenue des Pâquiers 1
2072 St-Blaise
Switzerland

Telephone:	+41 32 729 9510
Fax:	+41 32 729 9519
Email:	info@alpeslasers.ch
Web site:	http://www.alpeslasers.ch

DOCUMENT VERSION

This is Version 1.0.0 of the S-2m manual, published on 2022/06/29

Date of publication	Version number	Changes
2022/06/30	1.0.0	Original release

Preface

This manual serves is intended for personnel using the S-2m pulser to drive ALPES LASERS QCLs. Its purpose is to serve as a reference for the mechanical and electronic configuration and provide the customer with sufficient information to carry out normal operation. The specifications provided herein refer to the output of the electronic driver, not to a detected optical signal of a QCL. This manual should be used in conjunction with the QCL datasheet and the separate QCL operation manual. It is not intended to replace or supersede any local directive. Table 1 summarizes the content of each section.



CAUTION:

All personnel must read and understand this manual before attempting to operate ALPES LASERS QCLs and the associated electronic devices. Failure to follow safety instructions could result in death or serious injury.

Chapter	Content
1. Introduction	General description
2. Specifications	Table of values
3. Mechanical Interface	Drawings and mounting instructions
4. Electrical Interface	Pinout and system assembly
5. Graphical User Interface	Software instructions
6. Safety interlocks, external modulation and security	Description of interlocks with schematics
7. Modes of Operation	Descriptions and graphs of the internal pulsing modes
8. Non-volatile Memory	Information stored on the S-2m card
9. Built-in Test	Information retrieved in the BIT
10. Communication Protocol	Overview and data packet structure
11. Environmental Specifications	Description of ESS testing

Table 1: Structure of the S-2m User Manual.

Typesetting conventions

- Table 2 gives a list of the acronyms used in this manual.
- A `boxed item` indicates a button to push (hw) or click (sw)

Acronym	Full name
BIT	Built-In Test
GUI	Graphical User Interface
HHL	High Heat Load (QCL package)
MCU	Microcontroller unit
PCB	Printed Circuit Board
QCL	Quantum Cascade Laser
S-2m	ALPES LASERS QCL pulser driver
TC-3	Temperature Controller
TEC	ThermoElectric Cooler (Peltier junction)

Table 2: Acronyms used in this manual.

Contents

Preface	v
1 Introduction	1
2 Specifications	3
3 Mechanical interface	5
3.1 Drawings	5
3.1.1 S-2m driver PCB	5
3.2 Mounting instructions	6
4 Electrical interface	9
4.1 S-2m Input Pinout	10
4.2 S-2m Output Pinout	11
4.3 C-S2m-TC3-revB cable	11
4.3.1 Instrument end of cable	12
4.3.2 S-2m end of cable	13
4.4 C-S2m-HHL cable	14
5 Graphical User Interface	15
5.1 General operation	16
5.2 Direct Software Commands	18
6 Safety interlocks, external modulation and security	19
6.1 Interlocks	19
6.2 External Modulation	21
6.3 Security Features	21
7 Modes of operation	23
8 Non-volatile Memory	25
9 Built-in Test	27
10 Communication Protocol	29
10.1 Communication Overview	29
10.1.1 Data format	29
10.1.2 Data framing	29
10.1.3 Data transmission	29

10.2 Data Packet Structure	30
10.2.1 Packet types	30
10.2.2 Payload formats	32
10.2.3 Examples	37
11 Environmental Specifications	39

1. Introduction

The S-2m pulser driver is designed to provide fast, high impedance electrical current pulses to non-linear current-driven devices. It is a ruggedized version of the ALPES LASERS S-2 pulser driver, and was designed for use with high-power HHL-packaged QCLs. The general driver capabilities are:

- Producing power for the QCL
- Producing modulation to the QCL
- Transfer TEC current from the main system to the internal QCL TEC
- Transfer thermistor signal to the main system
- Provide safety interlocks to prevent inadvertent laser activation
- Communication with the main system or maintenance software

The S-2m driver can be directly controlled by a computer, with drivers available for Linux, Windows, and OSX.

To provide maximum flexibility for integrating into the customer device, the S-2m pulser is provided as a connectorized PCB, as shown in Fig. 1.1. A conformal parylene coating is applied for electronic protection.

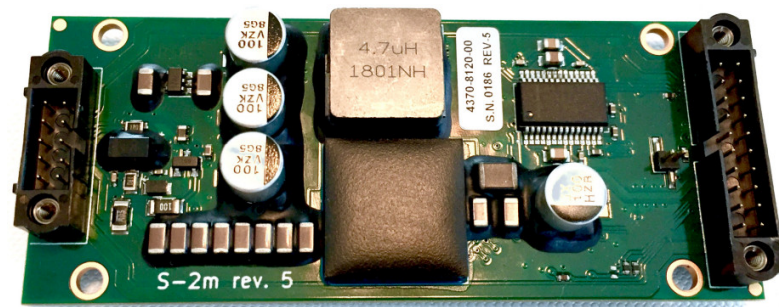


Figure 1.1: S-2m pulser PCB card.

2. Specifications

Specification	Value
Max. peak current output	≥ 8 A
Max. avg. current output	≥ 3 A
Max. output voltage	25 V
Pulse width minimum	10 ns
Pulse width min. increment	10 ns
Pulse repetition period resolution	10 ns
Max. pulse repetition frequency	1 MHz
Current measurement resolution	1 mA
Voltage setting resolution	10 mV
Output voltage modulation bandwidth	1 kHz
Rise time	5-15 ns
Fall time	5-15 ns
Input voltage range	9-28 V
Power supply (included)	18 V / 40 W

Table 2.1: S-2m specifications. Note that the electronic rise and fall times specified here will vary from driver to driver.

In standard pulsing mode, also referred to "internal" mode, the S-2m pulser can generate a maximum peak current ≥ 8 A and a maximum average current ≥ 3.0 A. The maximum values can vary between S-2m cards, and in general depend on the duty cycle as well as on the selected operation mode when the output mode is not "internal." The maximum peak current as function of duty cycle is depicted in Fig. 2.1. These values represent the maximum allowable user input for the "Peak current limit" in the GUI, with higher attempted input values automatically reduced to the corresponding value from the figure for the selected mode and duty cycle combination.

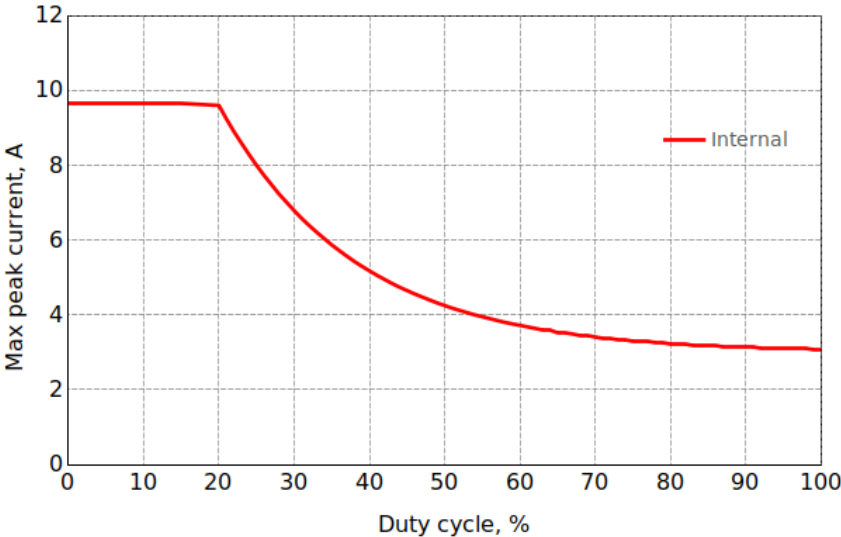


Figure 2.1: ALPES LASERS S-2m pulser maximum peak current as a function of duty cycle.

3. Mechanical interface

3.1 Drawings

All dimensions in the drawings provided are in mm.

3.1.1 S-2m driver PCB

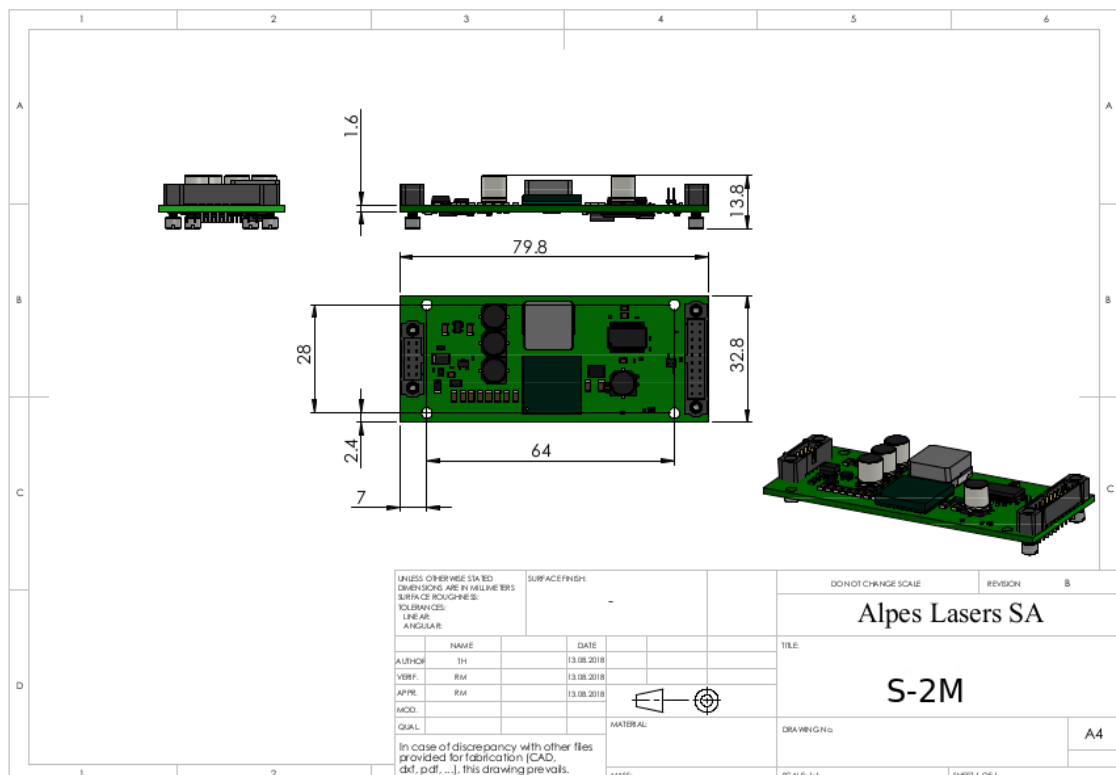


Figure 3.1: S-2m driver PCB. Through-hole spacing 64 mm.

Laser side	Driver side	Description
1	1, 6	Power - of the TEC
2	-	Not connected
3	-	Not connected
4	2, 7	Laser voltage +
5	8	Temp. sensor positive line
6	3	Temp. sensor negative line
7	4, 9	Laser voltage -
8	-	Not connected
9	-	Not connected
10	5, 10	Power + of the TEC

Table 3.1: C-S2m-HHL flex cable pin-out

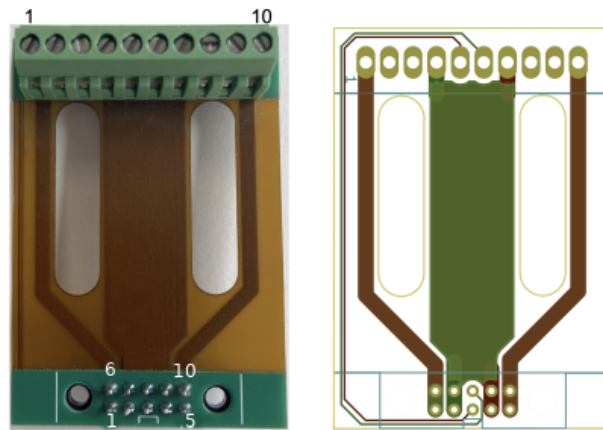


Figure 3.2: C-S2m-HHL flex cable for attaching the HHL package to the S-2m PCB. Left: photograph, Right: schematics showing the conductive tracks.

3.2 Mounting instructions

The S-2m PCB does not explicitly require water cooling as the HHL itself does. For optimized temperature performance, a thermal pad may nonetheless be used for the area of the PCB closest to the HHL-S2m flex cable attachment, as depicted in Fig. 3.3.

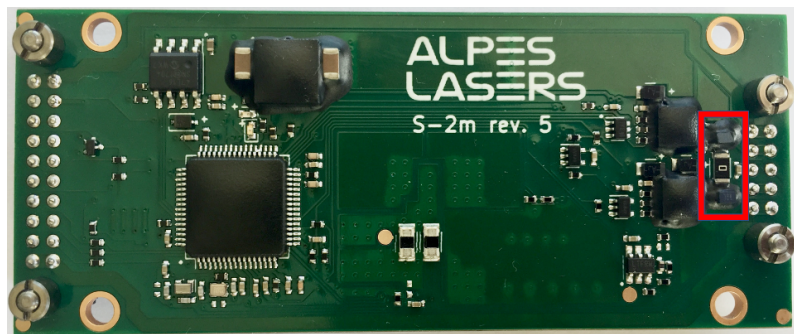


Figure 3.3: Area on S-2m to cool for optimal thermal performance

4. Electrical interface

This chapter describes the electrical pinouts and cable connections for the ALPES LASERS S-2m laser driver. For reference, the "back" or "input" end refers to the 20-pin end of the S-2m PCB connecting to external instruments such as the temperature controller and computer, whereas "front" or "output" end refers to the 10-pin end connecting to the laser. The general system components are depicted in Fig. 4.1.



CAUTION:

Do not apply more than 3.3 V on any external input other than the power supply. There is a risk of damaging the S-2m pulser.

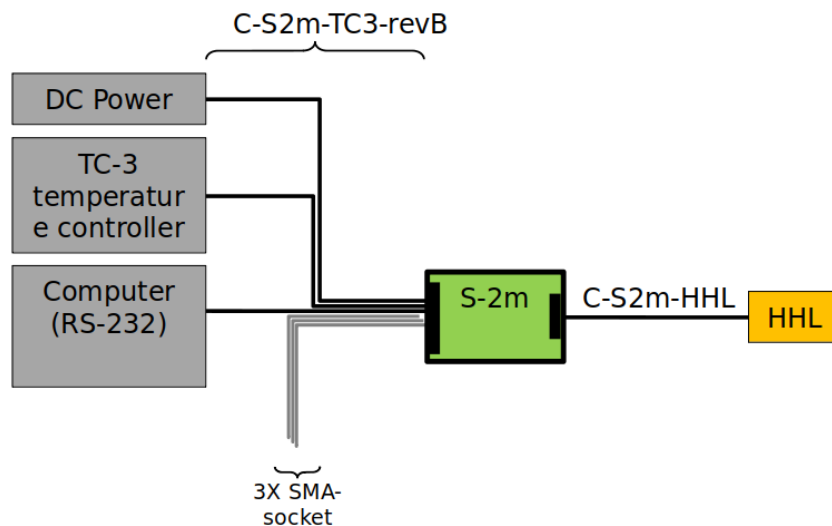


Figure 4.1: Block diagram of system components: power supply, temperature controller TC-3, computer, C-S2m-TC3-revB cable, S2-m driver, C-S2-m-HHL cable, and the HHL-packaged QCL. The C-S2m-TC3-revB cable splits into 6 outputs from the S2-m PCB, 3 of which are terminated with SMA-Socket plugs. See Sec. 4.3 for details.

4.1 S-2m Input Pinout

The back pinout of the S-2m is shown in Table 4.1 and Fig. 4.2.

Pin	Name	Description
1	TEC+	Power + of the TEC
2	RS-232 Ground*	Communication Ground
3	Ground	Ground
4	Ground	Short to pin 3
5	T_SENSOR-EXT	Temp. sensor negative line
6	T_SENSOR+EXT	Temp. sensor positive line
7	IN_V_SUPPLY+	Short to pin 8
8	IN_V_SUPPLY+	DC power +
9	IN_MOD_DIRECT	External modulation input
10	TEC-	Power - of the TEC
11	TEC+	Short to pin 1
12	OUT_RS232_TX	Communication transmit line
13	IN_RS232_RX	Communication receive line
14	MCU_OUT_STATUS	Microcontroller output status
15	OUT_LASER_ON	Output status: 3.3 V when output is enabled, 0 V when output is OFF
16	IN_VREG_INTERLOCK	Laser voltage interlock
17	MCU_OUT_INTERLOCK	Microcontroller output interlock
18	IN_SAFETY	Interlock
19	IN_ARM	Interlock
20	TEC-	Short to pin 10

Table 4.1: S-2m input (instrument end) pinout.

*Pin 2 is by default connected to Pin 3 by the zero-ohm resistor R43, so that the whole PCB by default has a single ground. R43 may be desoldered from the PCB to float the communication ground. See Fig. 4.3 for the board location.

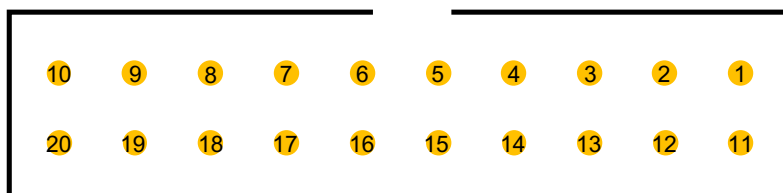


Figure 4.2: S-2m input end pin numbering. Refer to Table 4.1 for pin descriptions.

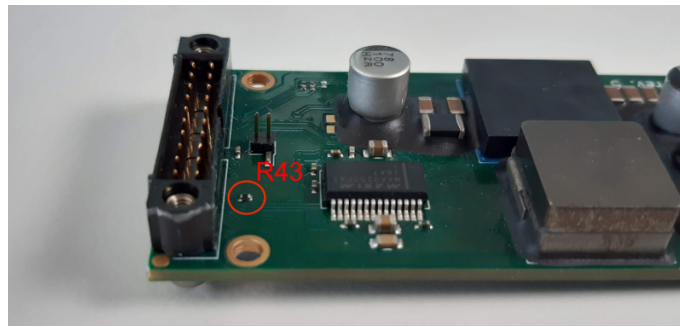


Figure 4.3: Zero-ohm link R43 may be desoldered from the PCB if an isolated communication ground is desired.

4.2 S-2m Output Pinout

The front pinout of the S-2m is shown in Table 4.2 and Fig. 4.4.

Pin	Name	Description
1	TEC-	Power - of the TEC
2	Laser+	Laser voltage +
3	T_SENSOR-	Temp. sensor negative line
4	Laser-	Laser voltage -
5	TEC+	Power + of the TEC
6	TEC-	Short to pin 1
7	Laser+	Short to pin 2
8	T_SENSOR+	Temp. sensor positive line
9	Laser-	Short to pin 4
10	TEC+	Short to pin 5

Table 4.2: S-2m output (laser end) pinout

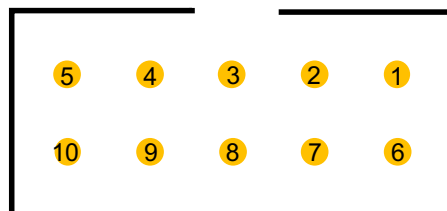


Figure 4.4: S-2m output (laser end) pin numbering

4.3 C-S2m-TC3-revB cable

The C-S2m-TC3-revB cable provides the connections from the power supply and external instruments to the 20-pin input connector on the S2-m PCB. Unless otherwise

indicated in the pinout of Table 4.3.1 below, the pairs are not shielded.

4.3.1 Instrument end of cable

Temperature controller

Connector: DB-15 Male
 Cable type: 4 wires 24AWG
 Length: 1.4 m (55 in.)
 Label: TEC

DB-15 pin	Descr.	S-2m pin
1	TEC+	1
2	n/c	-
3	TEC-	10
4	n/c	-
5	Earth gnd (shielded)	-
6	Earth gnd (shielded)	-
7	T Sensor+	6
8	T Sensor-	5
9	n/c	-
10	n/c	-
11	n/c	-
12	n/c	-
13	n/c	-
14	n/c	-
15	n/c	-

Communication

Connector: DB-9 Female
 Cable type: 3 wires 24AWG
 Length: 1.4 m (55 in.)
 Label: RS232

DB-9 pin	Descr.	S-2m pin
1	n/c	-
2	RS232 TX	12
3	RS232 RX	13
4	n/c	-
5	RS232 GND	2
6	n/c	-
7	n/c	-
8	n/c	-
9	n/c	-

Power supply

Connector: 2.1 mm DC jack
 Cable type: 2 wires 24AWG
 Length: 0.3 m (12 in.)
 Label: POWER

Pin	Descr.	S-2m pin
PIN	DC Power+	8
RING	DC Power-	4

4.3.2 S-2m end of cable

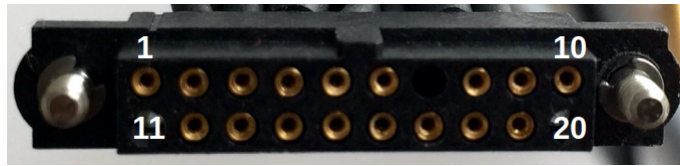


Figure 4.5: C-S2m-TC3-revB cable connector (female) to the S-2m input (male), Sec. 4.1.

Pin	S-2m Pin Name	Length	Connection to / Terminal
1, 11	TEC+	1.4 m	Temperature controller (DB15 male)
2	RS232_GND	1.4 m	Computer (DB9 female)
3, 4	GND / IN_V_SUPPLY-	0.3 m	Power supply (2.1 mm DC jack, outer shell)
5	T_SENSOR-EXT	1.4 m	Temperature controller (DB15 male)
6	T_SENSOR+EXT	1.4 m	Temperature controller (DB15 male)
7, 8	IN_V_SUPPLY+	0.3 m	Power supply (2.1 mm DC jack, center connector)
9	IN_MOD_DIRECT	15 cm	SMA-socket (shield to GND) Label: IN MOD DIRECT
10, 20	TEC-	1.4 m	Temperature controller (DB15 male)
12	OUT_RS232_TX	1.4 m	Computer (DB9 female)
13	IN_RS232_RX	1.4 m	Computer (DB9 female)
14	MCU_OUT_STATUS	15 cm	SMA-socket (shield to GND) Label: MCU OUT
15	OUT_LASER_ON	15 cm	SMA-socket (shield to GND) Label: OUT LASER ON
16	IN_VREG_INTERLOCK	15 cm	internally connected to pin 17
17	MCU_OUT_INTERLOCK	15 cm	internally connected to pins 16, 18, 19
18	IN_SAFETY	15 cm	internally connected to pin 17
19	IN_ARM	15 cm	internally connected to pin 17

Table 4.3: C-S2m-TC3-revB cable with connector to the S-2m input

4.4 C-S2m-HHL cable

The C-S2m-HHL cable provides a 30 mm flexible bridge between the S-2m PCB output and the HHL pins, as depicted in ??.

HHL Pin	Name	S-2m Output Pin
1	TEC -	1, 6
2	(No pin)	
3	nc	
4	Laser +	2, 7
5	T sensor -	3
6	T sensor +	8
7	Laser -	4, 9
8	nc	
9	nc	
10	TEC +	5, 10

Table 4.4: C-S2m-HHL pin connections

5. Graphical User Interface

This section describes how to program the S-2m pulser with the provided GUI.

With the S-2m powered on and connected to the computer via the C-S2m-TC3-revB cable, open the S-2m control software: a dialog similar to the one shown in figure 5.1 will appear. The top line of the dialog box shows a drop-down menu for the port connection. Click `scan` to search for connected ports if necessary, then tick the box next to "connect" to start communication with the S-2m card. An active connection is indicated by "ok" appearing to the right of "connect." If no ports appear after the scan, ensure all drivers are installed, e.g. for the RS232-USB serial adapter.

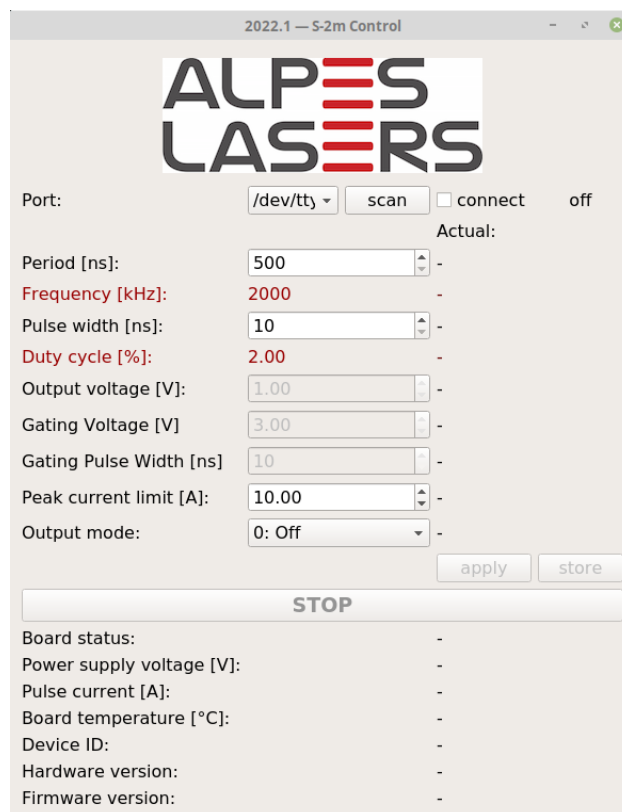


Figure 5.1: Dialog Box for internal control.

5.1 General operation

- Enter the desired repetition period, pulse width, and peak current limit using the dialog box. The corresponding frequency and duty cycle are calculated automatically.
 - These parameters are adjustable even if the output is off
 - Pulse width and repetition period can be adjusted in 10 ns increments
 - Note:* If the pulse width is set to a value larger than the repetition period, the current will be on continuously.
 - Note:* The **Peak current limit [A]** line displays the maximum allowed peak current for the current duty cycle and repetition rate. If this value is exceeded during operation, the driver will shut down in order to protect the laser.
- Click **apply** to set the values. The values displayed on the right will update accordingly under **Actual:** to the right of the input box, as shown in Fig. 5.2.

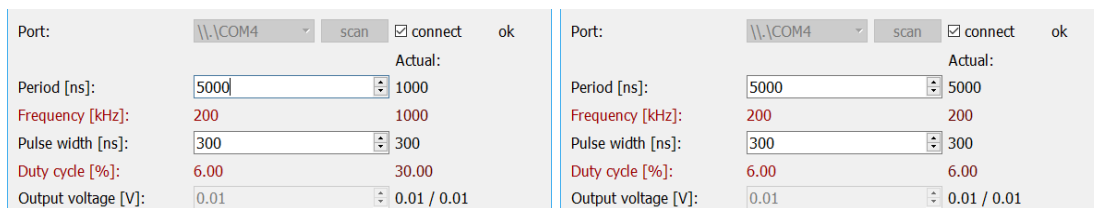


Figure 5.2: The set value appears under **Actual**, which changes upon clicking **apply**, as shown here for changing the pulse repetition period.

- Select an output mode from the dropdown box to enter the mode-specific pulse width(s) and amplitude(s). Refer to the laser datasheet for the voltage setpoints. Details of the various output modes are given in Ch. 7 *Modes of operation*.
 - Output voltage can be adjusted in 10 mV increments
 - Two voltage values separated by a / appear under "Actual." These indicate the Set value / Real-time measured value.
- Click on **apply** to start the selected operating mode with the defined settings, or on **store** to simultaneously start pulsing and save the current settings permanently in the driver.

IMPORTANT:

By default, the S-2m pulser is powered up with the settings stored during the last session, including automatic pulse generation at power up if the stored output mode is other than OFF. The S-2m driver should only be used with its paired HHL-QCL to avoid the card's stored parameters exceeding the setpoints of another laser.

Below the `apply` and `store` buttons, several informational values are displayed. Values like the Power supply voltage and Device ID are static, while others like the Board temperature [°C] are measured. *When pulsing*, the measured value of the **Pulse current [A]** is displayed at the bottom of the GUI screen, indicating the current measured in the output ON state. This measured Pulse current value is indicative only, accurate for pulse widths >300 ns and above the minimum measurable value, which can be as high as 0.15 A in some conditions.

5.2 Direct Software Commands

The S-2m pulser can also be driven using a pure Python driver which can be integrated into another software at the user's convenience. The python driver containing the functions to perform all the capabilities of the GUI can be downloaded from the The Python Package Index: <https://pypi.org/project/sdeux/>.

Note: ALPES LASERS offers this Python driver for convenience only. Software support will not be provided.

Example of Python communication

The Python library of the S-2m may be used to write applications. A basic example is provided here:

```
import time
from sdeux.auto_detect import init_driver
from sdeux.serial_handler import S2SerialHandler

if __name__ == '__main__':
    th = S2SerialHandler('/dev/ttyUSB0')
    th.open()
    s2 = init_driver(th)
    s2.set_up()
    print(s2.info)
    print(s2.settings)
    s2.set_settings(pulsing_mode='internal',
                   voltage=5.0,          # applied voltage
                   pulse_period=1000,    # in nanoseconds
                   pulse_width=500,     # in nanoseconds
                   current_limit=3.0)    # amps
    time.sleep(1.0) # wait a bit for measure averaging
    s2.reload_info()
    s2.reload_settings()
    print(s2.info)
    print(s2.settings)
    th.close()
```

The sdeux library is available from The Python Package Index.

6. Safety interlocks, external modulation and security

6.1 Interlocks

The safety interlocks built into the S-2m driver card are implemented as part of the hardware, and thus are not defeatable by software settings. The safety interlocks are not accessible from the C-S2M-TC3-revB cable (as described in Ch. 4): the C-S2M-TC3-revB cable already provides a build-in connection for the interlocks.

For an advanced direct operation of the S-2m card without the C-S2M-TC3-revB cable, the GND pin must be grounded, and the 3 interlocks held at +3.3 V:

- IN_VREG_INTERLOCK Gates the main voltage regulator chip on the driver card, effectively the DC power supply. Schematized in Fig. 6.1.
- IN_ARM Interlock for the main gate driver. Schematized in Fig. 6.3
- IN_SAFETY Interlock for the safety gate driver. Schematized in Fig. 6.3

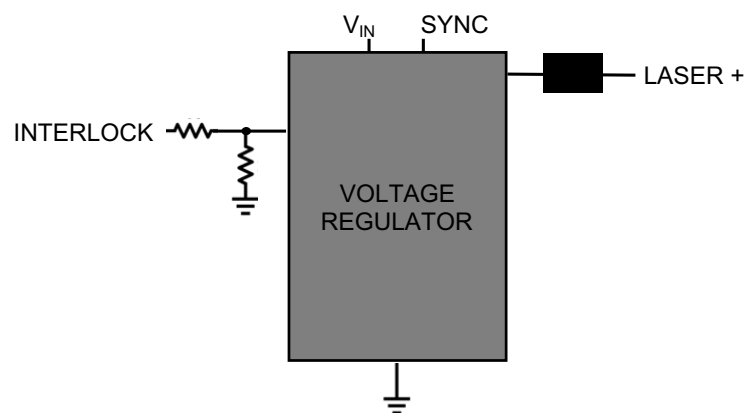


Figure 6.1: Simplified INTERLOCK connection schematic

Note: the MCU_OUT_INTERLOCK output provides +3.3V and can be used to enable the interlocks. This is how the C-S2M-TC3-revB cable enables all interlocks.

Note: It is also possible to short the MCU_OUT_INTERLOCK with IN_VREG_INTERLOCK by connecting the jumper "JP2" directly on the driver PCB. The two pins are located near the input end of the PCB, as shown in Fig. 6.2.

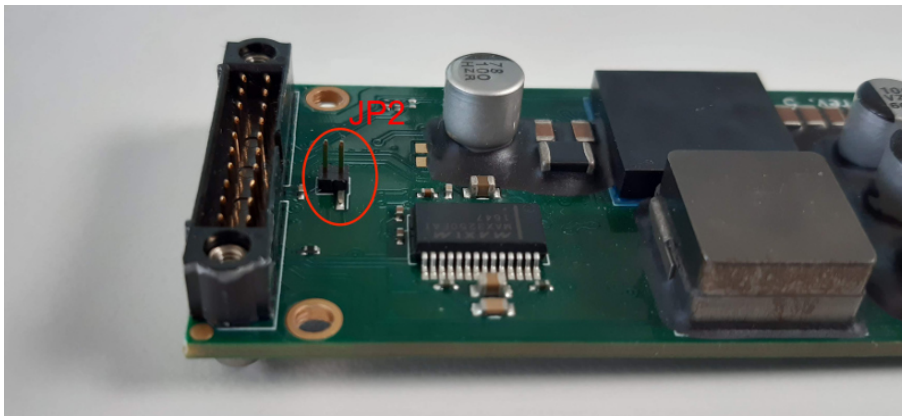


Figure 6.2: Jumper to short INTERLOCK with MCU_OUT_INTERLOCK

The pulse settings defined in the GUI are output from the microcontroller and input to the driver. The driver itself consists of two identical arms, referred to as SAFETY and ARM, both of which must be enabled for laser output. When this is the case, the OUT_LASER_ON pin effectively provides a TTL signal with the modulation input to the transistor drivers. Fig. 6.3 depicts the parallel driver chips, OUT_LASER_ON signal, as well as the optional external modulation input IN_MOD_DIRECT as described in Sec. 6.2 below.

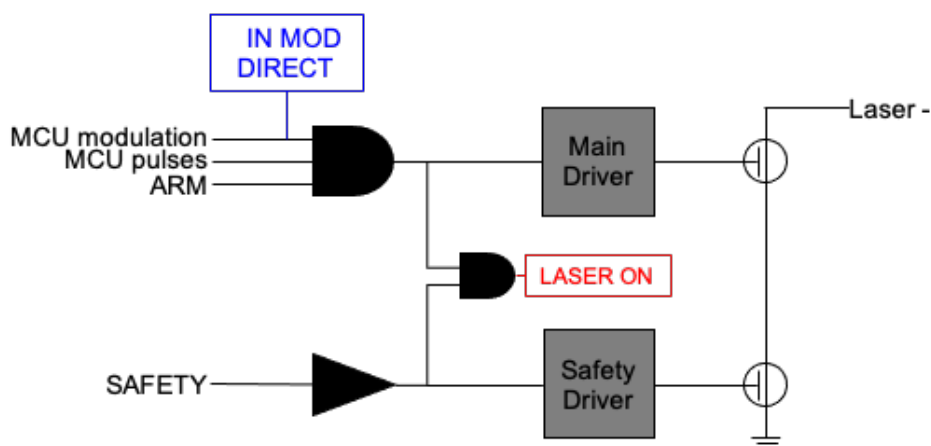


Figure 6.3: Simplified driver connection schematic

Figs. 6.4 and 6.5 depict the OFF/ON switching time measured for the ARM and SAFETY arms of the driver circuit.

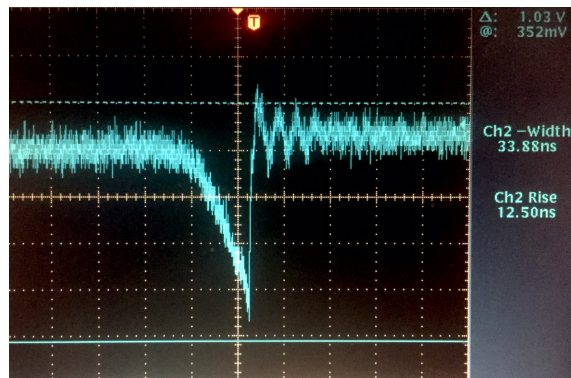


Figure 6.4: ARM interlock response time: ON 13 ns, OFF 34 ns

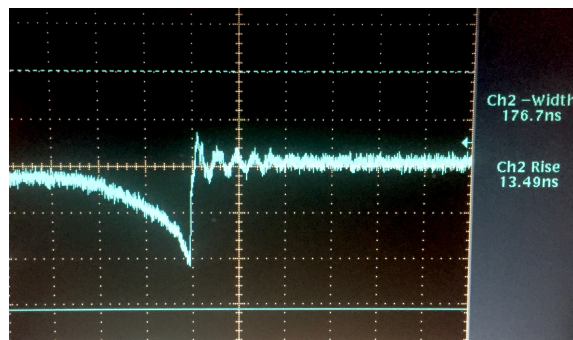


Figure 6.5: SAFETY interlock response time: ON 13 ns, OFF 177 ns

6.2 External Modulation

For an external modulation source, pulses are provided via a TTL signal delivered into the C-S2M-TC3-revB cable's IN_MOD_DIRECT SMA-socket connector. TTL generators are not supplied by ALPES LASERS.

With an external modulation source, mode "External Gating" must be selected in the provided GUI. Pulses will be emitted only when the TTL signal on IN_MOD_DIRECT is in the "high" state (+3.3V). When IN_MOD_DIRECT is off or disconnected, no output is produced. For all other mode selections, IN_MOD_DIRECT must be disconnected.

Note: Overcurrent protection in "External Gating" is controlled only by the GUI input value of "Peak current limit." This limit is solely user-defined, and not subject to an internal ceiling as the other mode options as depicted in Fig. 2.1.

6.3 Security Features

An LED indicator on the back side of the PCB turns from green (ready) to red in normal operation when the S-2m is running. The LED also turns red in case of sta-



WARNING:

Internal pulses must be disabled during external control and vice-versa. Enabling internal and external pulses simultaneously might result in damages to the laser and the pulser.

tus errors: a power supply outside the specified range, triggering an Overvoltage or Undervoltage status, or Overcurrent as defined by the current limit set in the GUI. In these cases, the microcontroller no longer outputs to the driver circuit, and the voltage on the green MCU OUT cable which serves as a status indicator switches from 0 V (normal operation) to +3.3 V (status error/no MCU output). The status must be reset via the `RESET_STATUS_FLAG` before operation can resume.

As an additional security feature, the S-2m will shut down if the pulse length is longer than 50 ms to avoid overheating the QCL.

7. Modes of operation

The S-2m's pulsing schemes are described here.

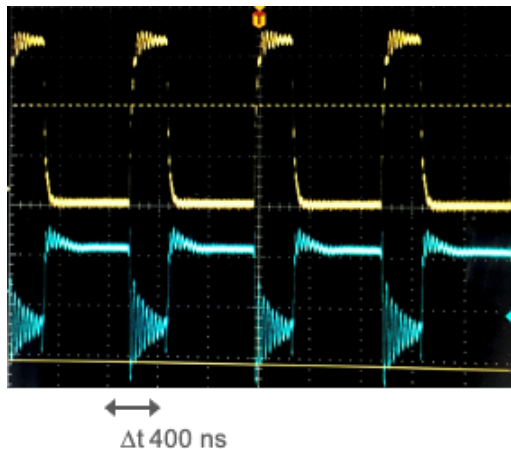
The IN_MOD_DIRECT SMA-socket cable must be disconnected for all other modes other than "External Gating".

0. Off

No pulsing.

1. Pulsing

Standard internal pulsing mode with pulse width and duty cycle configurable in the GUI. Minimum pulse width 300 ns.



Pulsing with 30% duty cycle: 300 ns ON / 1 ms period. Timescale blocks 400 ns. The yellow trace shows the MCU output to the current drivers, as measured from the red OUT LASER ON cable. The blue trace shows the S-2m's "Laser -" output to the HHL, with the polarity reversal compared to the MCU output (yellow) indicative of the QCL bias polarity.

8. External Gating

The internal modulation (typically fast) is modulated by an external signal (typically slower) provided by a TTL signal from an external modulation source using the C-S2M-TC3-revB cable's IN_MOD_DIRECT SMA-socket connector. If the external signal pulse width is longer than 50 ms, the output is stopped.

8. Non-volatile Memory

The following information is stored in the S-2m's non-volatile memory. The **NAME** refers to the data packet type where the value occurs. See Ch.10 for further details.

INFO

device_id	Unique ID of the board
sw_version	Installed firmware version
hw_version	Hardware version
pulse_clock_frequency	Indicates the pulse timer resolution (Hz)
API_version	Incremental number that indicates which version of the communication protocol is used
laser_id	ID number of the QCL emitter

SETTINGS

pulse_period	Pulse period given as a multiple of the period $1/\text{pulse_clock_frequency}$
pulse_width	Pulse width of the output pulses given as a multiple of the period $1/\text{pulse_clock_frequency}$
output_voltage_set	Output voltage setting, range from 1 to 25 V (V)
output_current_limit	Output current protection limit (A)
pulsing_mode	Output pulsing mode, see Ch. 7
bias_t	DC current bias (mA)
burst_ON	Number of periods with pulsing enabled, given as multiple of 10 pulse_period
burst_OFF	Number of periods with pulsing disabled, given as multiple of 10 pulse_period
output_voltage_set_A	Gating Voltage (V)
output_voltage_set_B	Gating Voltage (V)
pulse_width_A	Gating pulse width
pulse_width_B	Gating pulse width

UPTIME

uptime	Time elapsed since the last power on of the S-2m (s)
total_uptime	Total time the S-2m was powered on (s)
lasing_uptime	Total lasing time (output current >0.1A) (s)
operation_uptime	Total operation time (output voltage >5V)

QUERY_BIT

overcurrent_first	Time (total S-2m uptime) at the first occurrence of overcurrent (s)
overcurrent_last	Time (total S-2m uptime) at the last occurrence of overcurrent (s)
overcurrent_count	Count of overcurrent status events
undervoltage_first	Time (total S-2m uptime) at the first occurrence of undervoltage (s)
undervoltage_last	Time (total S-2m uptime) at the last occurrence of undervoltage (s)
undervoltage_count	Count of undervoltage status events
overvoltage_first	Time (total S-2m uptime) at the first occurrence of overvoltage (s)
overvoltage_last	Time (total S-2m uptime) at the last occurrence of overvoltage (s)
overvoltage_count	Count of overvoltage status events
overtemp_first	Time (total S-2m uptime) at the first occurrence of overtemp (s)
overtemp_last	Time (total S-2m uptime) at the last occurrence of overtemp (s)
overtemp_count	Count of overtemp status events

9. Built-in Test

Built-in test (BIT) information of the S-2m can be queried as described in the communication protocol in Sec. 10.2.2. In particular, the BIT provides a log of the time and status fault count for the S-2m card, stored in its non-volatile memory and updated upon triggering of a status error. These are tabulated in Table 9.1.

Error	Unit	Description
overcurrent_first	s	Time (total S-2m uptime) at the first occurrence of overcurrent
overcurrent_last	s	Time (total S-2m uptime) at the last occurrence of overcurrent
overcurrent_count	-	Count of overcurrent status events
undervoltage_first	s	Time (total S-2m uptime) at the first occurrence of undervoltage
undervoltage_last	s	Time (total S-2m uptime) at the last occurrence of undervoltage
undervoltage_count	-	Count of undervoltage status events
overvoltage_first	s	Time (total S-2m uptime) at the first occurrence of overvoltage
overvoltage_last	s	Time (total S-2m uptime) at the last occurrence of overvoltage
overvoltage_count	-	Count of overvoltage status events
overtemp_first	s	Time (total S-2m uptime) at the first occurrence of overtemp
overtemp_last	s	Time (total S-2m uptime) at the last occurrence of overtemp
overtemp_count	-	Count of overtemp status events

Table 9.1: Status errors logged in the S-2m non-volatile memory.

10. Communication Protocol

The present chapter describes the communication protocol between a host and an S-2m rev. 2005 device, otherwise called simply S-2 in the remainder of this text, with API version 2018102501.

10.1 Communication Overview

10.1.1 Data format

The host computer initiates the communication by sending fixed-size binary data packets to the S-2m. The S-2m then always replies with a fixed-size binary packet to each valid packet it receives. However, the S-2m does not reply to any invalid or corrupted packets it receives.

10.1.2 Data framing

The packets are encapsulated into frames according to the serial line over IP (SLIP) RFC 1055. A delimiting character, called END, decimal 192, is appended to the beginning and the end of the packet. An additional escape character, called ESC, decimal 219, is used to escape any END or ESC byte that occurs in the data itself. The escape sequences of the END and ESC characters are called ESC_END and ESC_ESC given by 219,220 and 219,221 respectively in decimal form.

10.1.3 Data transmission

The frames are exchanged over a serial line with a baudrate of 38400. The serial port settings are 8 data bits, no parity, 1 stop bit, no handshaking.

Because the S-2 ignores corrupted packets, it is a good practice to set a small read timeout of the order of 0.1s on the host. If no response comes within this time, it means that the S-2 will not reply at all. The only exception to this rule is for operations that store settings in the flash memory of the S-2 which can take a few seconds.

On the other hand, the three packet types SET_SETTINGS, SET_PERSISTENT_SETTINGS and RESET_STATUS_FLAG change the S-2m operation.

The SET_SETTINGS packet is the principal packet sent to operate the S-2m. It allows the host to change the pulse settings (pulsing mode, pulse width, pulse period, pulse voltage) and to set the current protection limit. See the table in 10.2.2 for a detailed account.

The SET_PERSISTENT_SETTINGS does the same, moreover it also saves the settings to the flash memory, so that the applied settings will persist after a power cycle of the device. Note that this should not be used very frequently because it is rather slow and the flash memory will wear out eventually.

The RESET_STATUS_FLAG is used to reset the S-2m into normal operation after it has triggered a safety protection (e.g. output current over the protection limit).

10.2.2 Payload formats

The payloads consist of a list of fields transmitted in binary, little-endian, format. The tables of this section describe the structure of all the payloads as an ordered list of fields with their associated data types and byte sizes in the payload. Float values are packed according to the IEEE 754 binary32 representation.

Structure of the INFO payload

Name	Type	Size (Bytes)	Description	Units
device_id	UINT32	4	Unique ID of the board	-
sw_version	UINT16	2	Installed firmware version	-
hw_version	UINT16	2	Hardware version	-
input_voltage_measured	FLOAT	4	Measured input (power supply) voltage	V
output_voltage_measured	FLOAT	4	Measured output (pulse amplitude) voltage	V
output_current_measured	FLOAT	4	Measured pulse current	A
MCU_temperature	FLOAT	4	Temperature of the micro-controller	°C
laser_temperature	FLOAT	4	Voltage measured across the laser temperature sensor (if connected)	V
output_current_measured_out_of_pulse	FLOAT	4	Measured out-of-pulse current	A
status	UINT16	2	Status flag byte: 0=OK, 1=UNDERVOLTAGE, 2=OVERCURRENT, 4=OVERVOLTAGE, 8=OVERTEMP	-
pulse_clock_frequency	UINT32	4	Indicates the pulse timer resolution	Hz
API_version	UINT32	4	Incremental number that indicates which version of the communication protocol is used	-
laser_id	Char[8]	8	ID number of the QCL emitter	-
TOTAL USED bytes		50/60		

Table 10.2: S-2m INFO payload

Structure of the SETTINGS payload

Name	Type	Size (Bytes)	Description	Units
pulse_period	UINT32	4	Pulse period given as a multiple of the period $1/\text{pulse_clock_frequency}$ (see 10.1 structure)	-
pulse_width	UINT32	4	Pulse width of the output pulses given as a multiple of the period $1/\text{pulse_clock_frequency}$; CW output for $\text{pulse_width} \geq \text{pulse_period}$	-
output_voltage_set	FLOAT	4	Output voltage setting, range from 1 to 25 V	V
output_current_limit	FLOAT	4	Output current protection limit	A
pulsing_mode	UINT16	2	Output pulsing mode (see below)	-
bias_t	FLOAT	4	Approximate bias T current; range from 0 to 35 mA	A
burst_ON	UINT32	4	Number of periods with pulsing enabled, given in multiple of 10 pulse_periods	-
burst_OFF	UINT32	4	Number of periods with pulsing disabled, given in multiple of 10 pulse_periods	-
output_voltage_set_A	FLOAT	4	Gating Voltage (must be set equal to output_voltage_set_B)	V
output_voltage_set_B	FLOAT	4	Gating Voltage (must be set equal to output_voltage_set_A)	V
pulse_width_A	UINT32	4	Gating Pulse width (must be set equal to pulse_width_B)	
pulse_width_B	UINT32	4	Gating Pulse width (must be set equal to pulse_width_A)	
TOTAL used bytes		46/60		

Table 10.3: S-2m SETTINGS payload

The *pulsing_mode* controls the type output produced by the S-2.

Pulsing mode	Value	Description
OFF	0	No pulses are produced, the output is switched off
INTERNAL	1	The S-2 is producing pulses continuously according to the pulse settings
EXT_GATING	8	The internal modulation is modulated by and external signal.

Table 10.4: S-2m pulsing mode options

Structure of the STATUS_FLAG payload

Name	Type	Size (Bytes)	Description	Units
status_flag	UINT16	2	Which status flag (see INFO structure field status) to reset	-

Table 10.5: S-2m STATUS_FLAG payload

For instance, if the S-2 is in the OVERCURRENT state, the host can send a RESET_STATUS_FLAG packet with the *status_flag* of the payload set to 1 (corresponds to the OVERCURRENT *status* value of the INFO structure).

Structure of the UPTIME payload

Name	Type	Size (Bytes)	Description	Units
uptime	UINT64	8	Time elapsed since the last power on of the S-2	s
total_uptime	UINT64	8	Total time the S-2 was powered on	s
lasing_uptime	UINT64	8	Total lasing time (output current >0.1A)	s
operation_uptime	UINT64	8	Total operation time (output voltage >5V)	

Table 10.6: S-2m UPTIME payload

Structure of the ADV_INFO payload

Name	Type	Size (Bytes)	Description	Units
input_voltage_measured_raw	FLOAT	4	Uncalibrated ADC value of the input voltage	-
output_voltage_measured_raw	FLOAT	4	Uncalibrated ADC value of the input voltage	-
output_current_measured_raw	FLOAT	4	Uncalibrated ADC value of the in-pulse output current)	-
current_out_of_pulse_raw	FLOAT	4	Uncalibrated ADC value of the out-of-pulse output current	-

Table 10.7: S-2m ADV_INFO payload

Structure of the QUERY_BIT payload

Name	Type	Size (Bytes)	Description	Units
overcurrent_first	UINT32	4	Time (total S-2 uptime) at the first occurrence of overcurrent	s
overcurrent_last	UINT32	4	Time (total S-2 uptime) at the last occurrence of overcurrent	s
overcurrent_count	UINT32	4	Count of overcurrent status events	-
undervoltage_first	UINT32	4	Time (total S-2 uptime) at the first occurrence of undervoltage	s
undervoltage_last	UINT32	4	Time (total S-2 uptime) at the last occurrence of undervoltage	s
undervoltage_count	UINT32	4	Count of undervoltage status events	-
overvoltage_first	UINT32	4	Time (total S-2 uptime) at the first occurrence of overvoltage	s
overvoltage_last	UINT32	4	Time (total S-2 uptime) at the last occurrence of overvoltage	s
overvoltage_count	UINT32	4	Count of overvoltage status events	-
overtemp_first	UINT32	4	Time (total S-2 uptime) at the first occurrence of overtemp	s
overtemp_last	UINT32	4	Time (total S-2 uptime) at the last occurrence of overtemp	s
overtemp_count	UINT32	4	Count of overtemp status events	-

Table 10.8: S-2m QUERY_BIT payload

11. Environmental Specifications

The S-2m has been rigorously tested to the following specifications:

- Non-operating temperature: -20 to +71 °C
- Operating temperature: 0 to 85 °C
- Vibrations: 1 hour per axis of the vibration profile depicted in Fig. 11.1
- Mechanical shock: 3-Axis total of 18 shocks 85 g, 5 ms half-sine
- Temperature shock: non-operational thermal shock at a rate of 11 °C/min during warm-up from -20 °C to 35 °C or cool-down from 55 °C to 0 °C
- Outgassing: TML less than 1%, CVCM less than 0.1%, as defined in test method ASTM-E-595

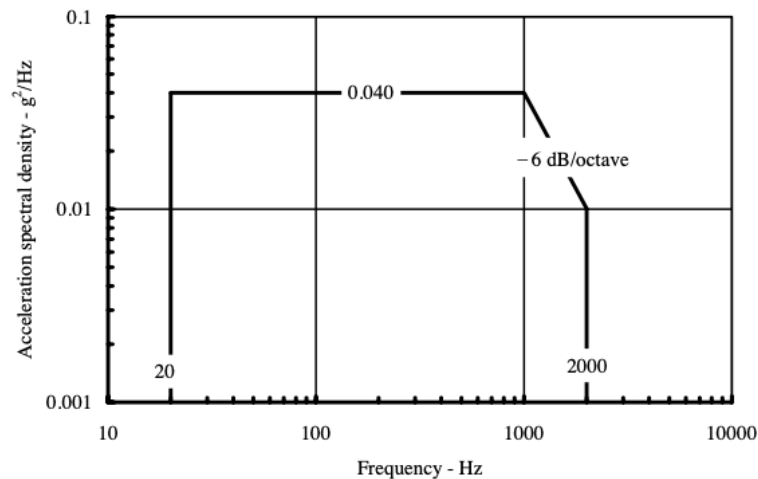


Figure 11.1: General minimum integrity exposure profile for vibration testing, ref. MIL-STD-810F Fig. 514.5C-17