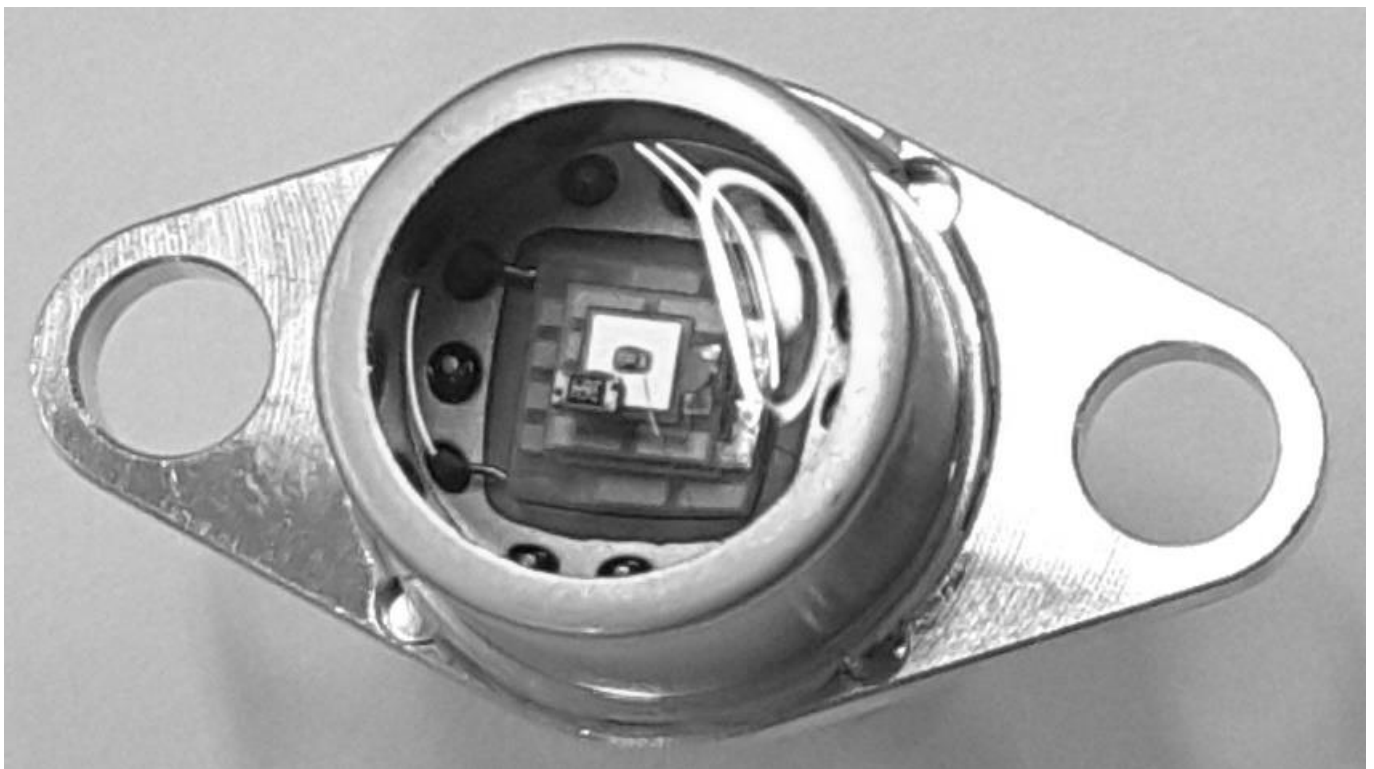


NFAD with TEC

(TO-8 Negative Feedback Avalanche Diode)



Contents

General Description 3

Electro-Optical Characteristics 4

Mechanical Dimension & Pin Layout 5

Other Requirements 7

General Description

InGaAs NFAD (Negative Feedback Avalanche Diode) is used for photon counting such as ultra-long distance Light Detection and Ranging (LiDAR) and Laser Range Finder (LRF), Free Space Quantum Communication, anything requires minute photon counting application, such as Gas sensors and Bio sensors, etc. It is based on the theory of low noise and high speed photo detection system using optical feedback with a current amplification function.

Features

- Free Running Mode operation
- Built-in Quenching Resistor (360 kΩ/ 510 kΩ/ 1MΩ)
- Optimized for 1000 nm to 1600 nm Wavelength
- Free Space
- Built in 3-stage Cooling System (TEC)

Applications

- Gas Leakage Sensor
- Quantum Cryptography (QKD)
- Light Detection and Ranging (LiDAR)
- Free Space Optical Communication
- Fundamental Studies in Quantum Physics

Absolute Maximum Ratings

Parameter	Conditions	Max	Unit
Forward Current	Continuous bias	+ 1	mA
Forward Voltage	Continuous bias	+ 1	V
Reverse Current	Continuous bias	- 1	mA
Reverse Voltage	Continuous bias	- V_B	V
	Pulsed bias (gated mode)	- ($V_B + 5$)	V
Optical Input Power	Continuous wave	1	mW
TEC Current		2.4	A
TEC Voltage		1.9	V
Thermistor	@25°C	2.2	kΩ

Table 1. Absolute Maximum Ratings

Electro-Optical Characteristics

Inspection sheet shall be appended to products when they are delivered. Test report shall be submitted in papers and in electronic media. It shall contain the major in following items.

Optical Characteristics (Tc=25°C)

Parameter	Symbol	Test Condition	Min	Typ.	Max	Unit
Breakdown Voltage	V_{BR}	$I_D=0.1\mu A$	50	70	90	V
Total dark current	I_D	$V_R = 0.95V_{BR}$		0.1	0.3	nA
Capacitance	C_{PD}	$f = 1MHz,$ $V_{PD} = 0.9VB$		0.25		pF
Quantum efficiency	η	$M=1, 1550nm$		70		%
Optical Wavelength Range	λ	-	1000		1600	nm
Responsivity	R	$\lambda = 1550nm, M=1$	0.7	0.8		A/W
Temperature coefficient of V_{BR}	Γ	$\Delta V_{BR}/\Delta T$		0.11		V/°C

Table 2. Optical Characteristics

Optical Characteristics (Tc= -40°C)

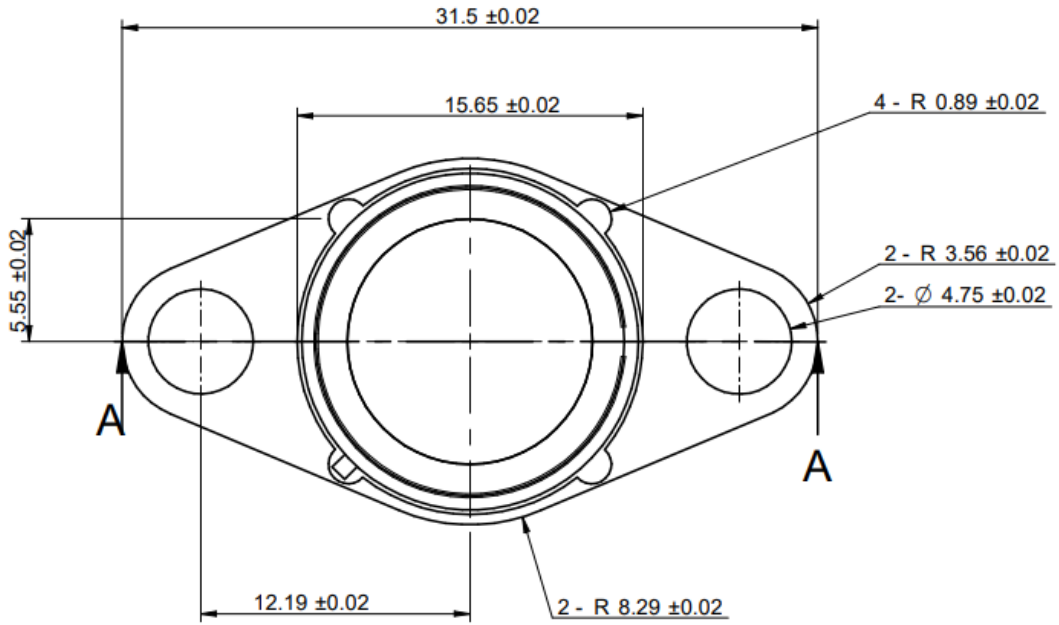
Parameter	Symbol	Test Condition	Min	Typ.	Max	Unit
Photon Detection efficiency	PDE	$T_C=-40^\circ C$	10			%
Dark count rate	DCR	@10% PDE $T_C=-40^\circ C$			10	KHz
Operating Excess voltage	ΔV			+2		V

Table 3. Optical Characteristics at GM operation

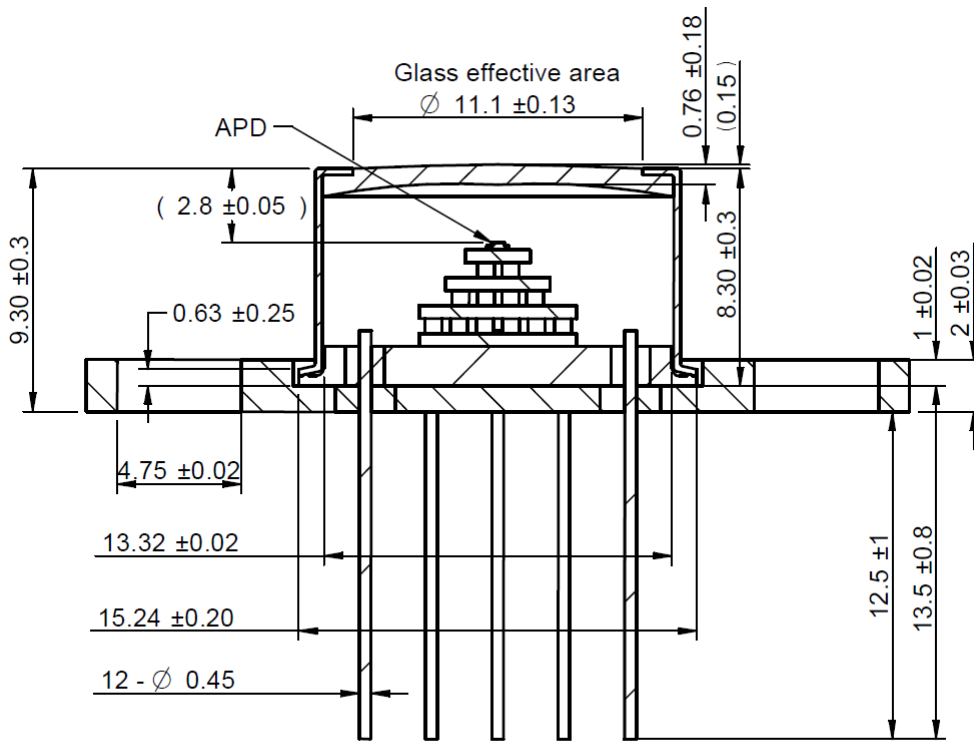
※ Note : Optical characteristics are based on the measurement result with pigtailed.

Mechanical Dimension & Pin Layout

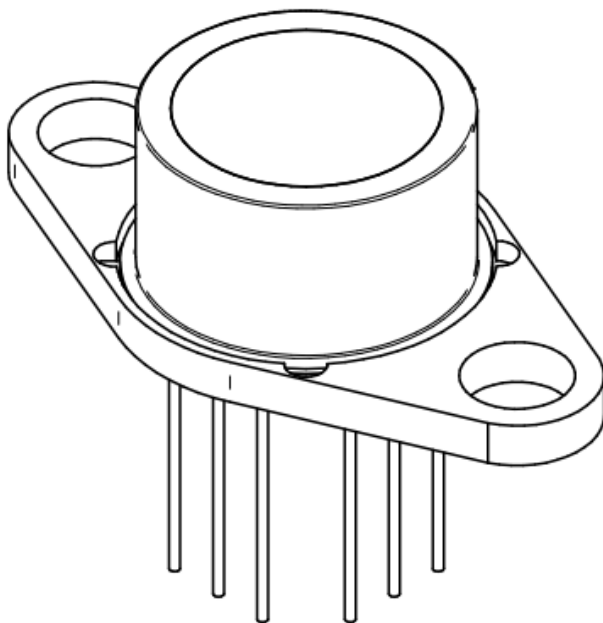
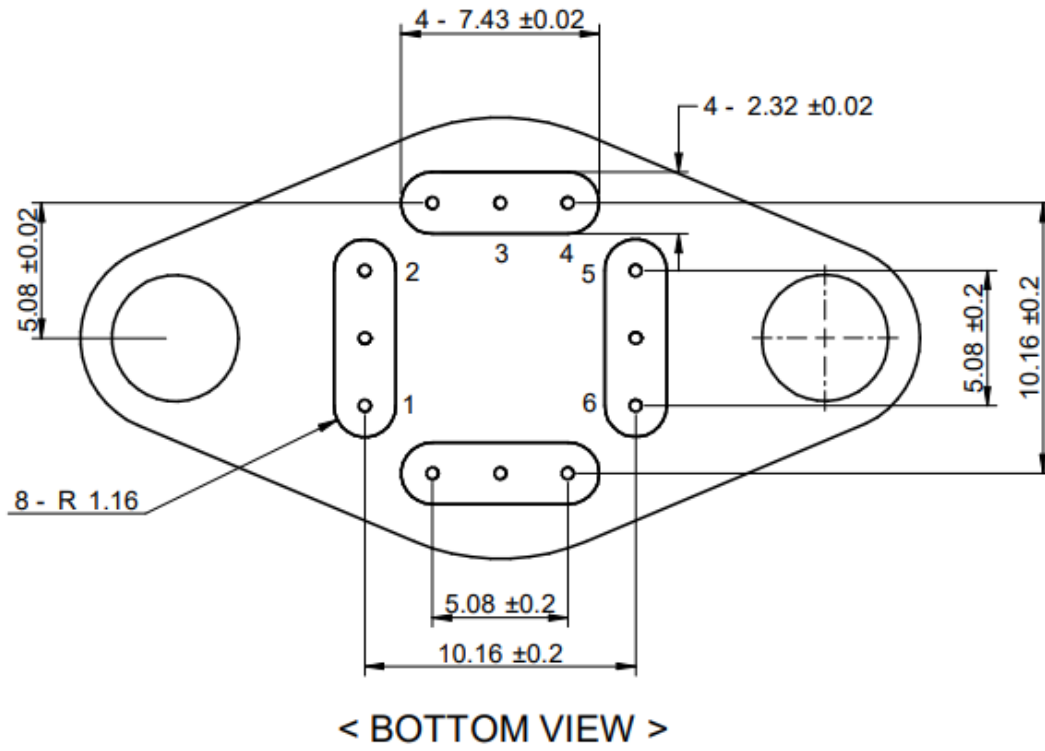
(Unit : mm)



< TOP VIEW >



SECTION A-A



No.	Description
1	TEC (-)
2	TEC (+)
3	APD Anode (with Qr)
4	APD Cathode
5	Thermistor1
6	Thermistor2

Figure 1. Mechanical Dimension and PIN map

Other Requirements

Precautions for use

This device is susceptible to damage as a result of ESD(electrostatic discharge). Use of ground straps, anti static mats, and other standard ESD protective equipment is recommended when handling or testing an InGaAs PIN/APD or any other junction photodiode. Soldering temperature of the leads should not exceed 350°C for more than 3 seconds.

ORDERING INFORMATION

WPRDNGMLCNNCFO