

The data should be read in conjunction with the Magnetron Preamble and with British Standard BS9030: 1971

## ABRIDGED DATA

Mechanically tuned pulse magnetron intended primarily for linear accelerators.

Frequency range	-	2993 to 3002 MHz
Peak output power	-	3.1 MW
Magnet	-	Electromagnet MG6053
Output	-	Via transition to No. 10 (WR 284 waveguide) (72.14 x 34.04 mm internal)
Isolator	-	The use of an isolator is recommended, see note 6
Cooling	-	Water

## GENERAL DATA

### Electrical

Cathode	-	Indirectly heated
Heater voltage (see note 1)	-	14 V dc
Heater current at 14 V	-	8.0 A
Heater starting current, peak value, not to be exceeded	-	20 A max
Cathode pre-heating time (minimum)	-	10 min

### Mechanical

Overall dimensions	-	See outline
Net weight	-	8.6 kg approx.
Tuner revolutions to cover frequency range (see note 2)	-	5.75
Mounting position (see note 3)	-	Any

Whilst Teledyne e2v has taken care to ensure the accuracy of the information contained herein it accepts no responsibility for the consequences of any use thereof and also reserves the right to change the specification of goods without notice. Teledyne e2v accepts no liability beyond that set out in its standard conditions of sale in respect of infringement of third party patents arising from the use of tubes or other devices in accordance with information contained herein.

## Accessories

Electromagnet	-	MG6053
Waveguide transition	-	M4152S

## Cooling

The magnetron is water-cooled and has an integral water jacket. The recommended water flow is 5 litres per minute or more; a pressure of approximately 1.25 kg/cm<sup>2</sup> will be necessary to give this rate of flow. The outlet water temperature must not exceed 50 °C. The cooling fins on the cathode stem must be cooled by an airflow of at least 0.28 m<sup>3</sup>/min.

## MAXIMUM AND MINIMUM RATINGS (Absolute values)

These ratings cannot necessarily be used simultaneously, and no individual rating should be exceeded.

	Min	Max	
Magnetic field (see note 4)	100	165	mT
Heater voltage (see note 1)	-	14	V dc
Heater starting current (peak)	-	20	A
Anode voltage (peak)	-	52	kV
Anode current (peak)	60	120	A
Input power (mean)	-	8.0	kW
Pulse duration	-	5.0	µs
Rate of rise of voltage pulse (see note 5)	80	120	kV/µs
Outlet water temperature	-	50	°C
VSWR at output couplet (see note 6)	-	1.5:1	
Pressurizing of waveguide (see note 7)	-	300	kPa

## TYPICAL OPERATION

### Operational Conditions

Magnetic field	-	160 ± 0.5	mT
Heater voltage	-	0	V
Anode current (peak)	-	115	A
Pulse duration	-	4.0	µs
Pulse repetition rate	-	325	pps
Rate of rise of voltage pulse	-	120	kV/µs

### Typical Performance

Anode voltage (peak)	-	49.8	kV
Output power (peak)	-	3.1	MW
Output power (mean)	-	4.0	kW
Frequency drift	-	See note 8	

## TEST CONDITIONS AND LIMITS

The magnetron is tested to comply with the following electrical specification.

### Test Conditions

Magnetic field (see note 4)	-	160 ± 0.5	mT
Heater voltage (for test)	-	0	V
Anode current (peak)	-	115	A
Pulse repetition rate	-	200	pps
Pulse duration	-	5.0	µs
VSWR at the output coupler	-	1.1:1	
Rate of rise of voltage pulse (see note 5)	-	120	kV/µs

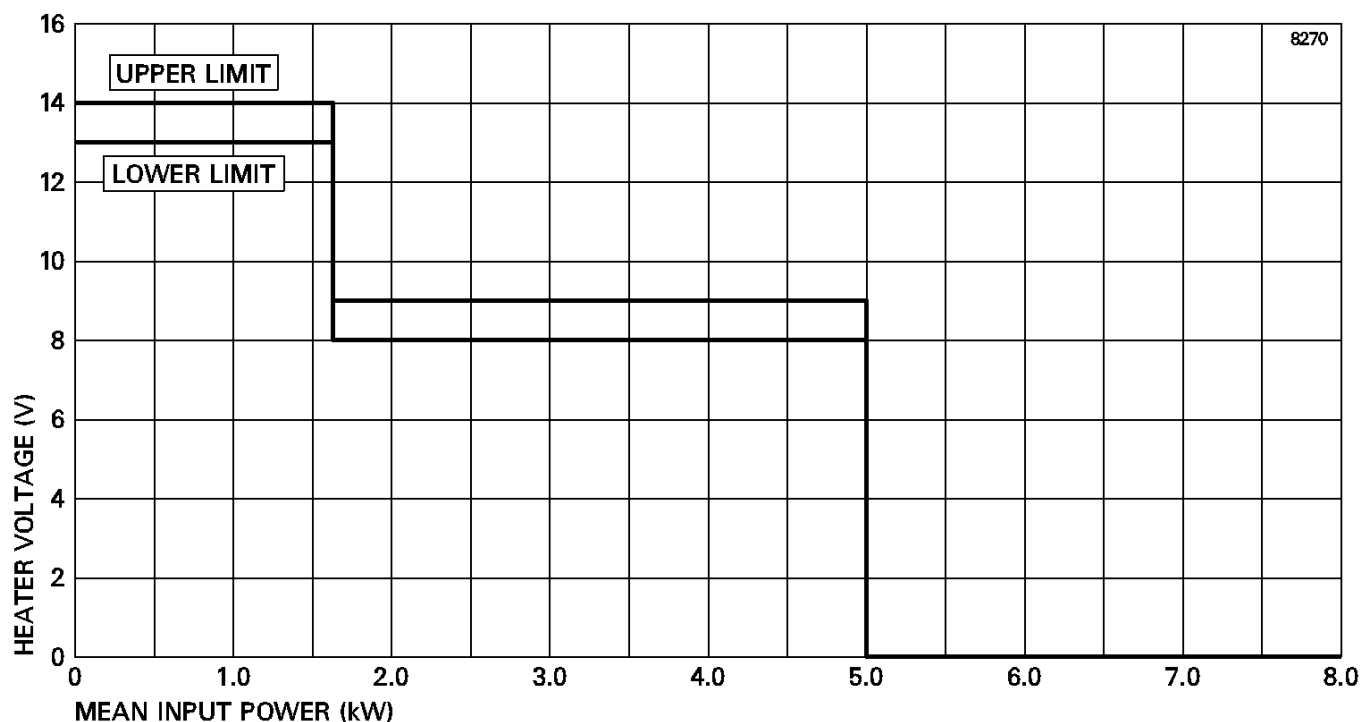
## Limits

	Min	Max	
Anode voltage (peak)	46	52	kV
Output power (peak) (see note 9)	3.0	-	MW
Frequency (see notes 10 and 11):			
Lower end of tuning range	-	2993	MHz
Upper end of tuning range	3002	-	MHz
RF bandwidth at ¼ power	-	1.2	MHz
Frequency pulling (VSWR not less than 1.5:1)	-	7.0	MHz
Stability (see note 12)	-	0.5	%
Heater current	See note 13		

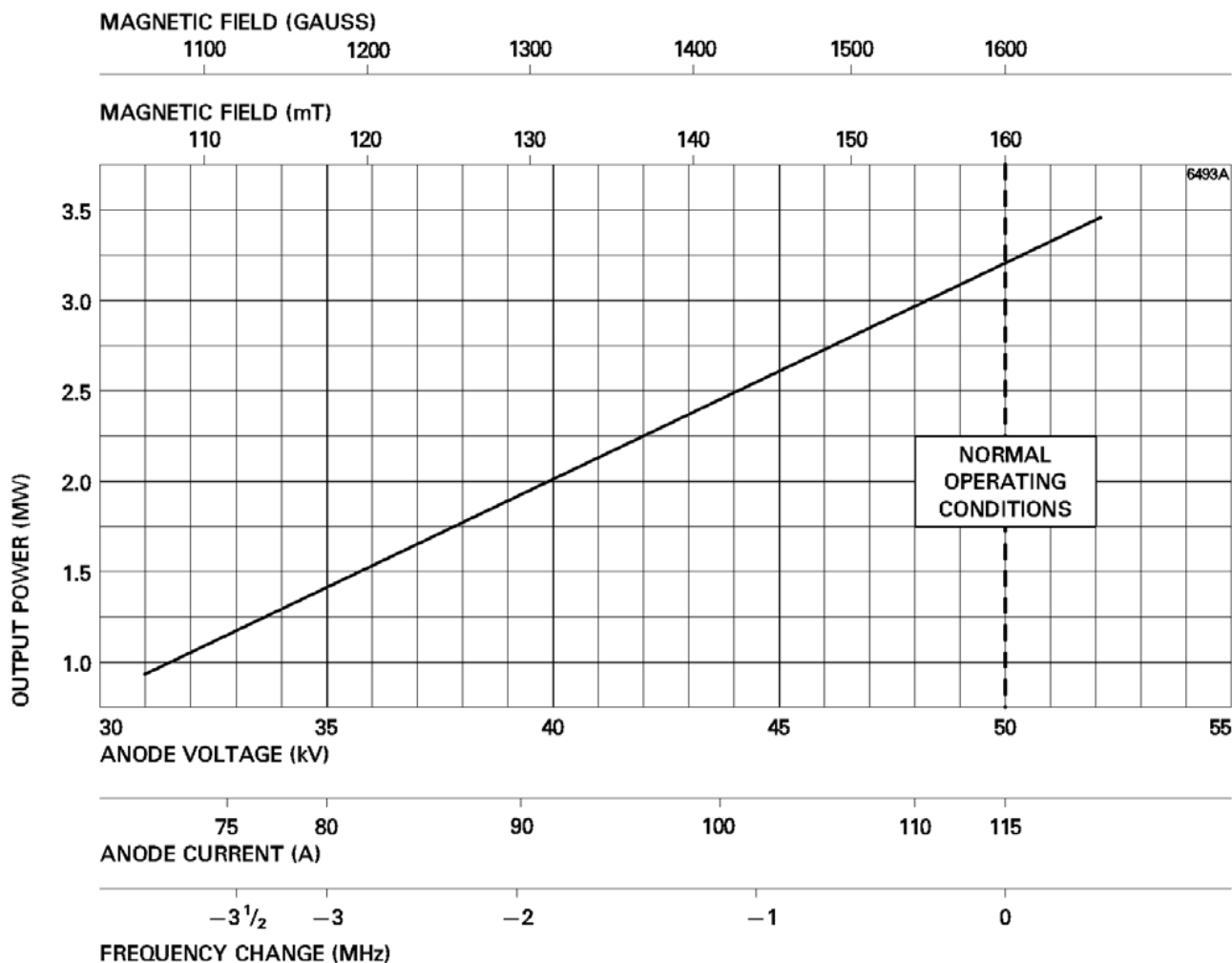
## NOTES

- With no anode input power.  
It is recommended that a DC power supply is used to operate the heater. Use of an AC supply may result in damage to the heater circuit. The use of an AC heater supply during HT operation may result in frequency modulation of the RF pulses. Contact Teledyne e2v for further information.  
The heater voltage must be reduced within 5 seconds after the application of HT according to the schedule shown on page 4.  
The magnetron heater must be protected against arcing by the use of a minimum capacitance of 4000 pF shunted across the heater directly at the input terminals; in some cases a capacitance as high as 2 µF may be necessary depending on the equipment design.
- The tuner mechanism is driven by means of the three threaded holes in the tuner knob (see outline) via a flexible drive. The minimum torque required is 0.7 kg-cm; the torque applied must not exceed 5.0 kg-cm.
- To minimise frequency deviation when the magnetron is rotated about a horizontal axis, this axis should be parallel to the axis of the tuner.
- The magnetron is designed for use with an electromagnet type MG6053 which can be supplied if required. The north seeking poleface of the magnet must be adjacent to the magnetron anode face which is opposite the cathode stem. The axis of the field is in line with the axis of the anode and is at right angles to the H plane of the system waveguide.
- Defined as the steepest tangent to the leading edge of the voltage pulse above 80% amplitude. Any capacitance in the viewing system must not exceed 6.0 pF.
- It is recommended that the magnetron should be isolated from the load by means of an isolator of approved design. Information on the characteristics of a suitable isolator may be obtained from Teledyne e2v.
- At the maximum pressure of 300 kPa gauge the maximum leakage will be such that with an enclosed volume of 1 litre the pressure will not drop by more than 70 kPa in 7 days.  
It is recommended that the pressurised arc suppressant gas used in the waveguide should contain no more helium than is typically found in air, i.e. 0.0005%.
- The frequency of the magnetron will vary during the first 30 seconds after the application of anode voltage. Typically the frequency will be 1.0 MHz high 5 seconds after switching on HT and 0.2 MHz high 60 seconds after switching on.
- The maximum variation of peak output power when the magnetron is rotated through 360° around any axis of the magnetron will not be greater than 4%.
- With a water flow rate of 5.0 litres per minute.
- The maximum variation of frequency when the magnetron is rotated through 360° around any axis of the magnetron will not be greater than 0.7 MHz.
- With the magnetron operating into a VSWR of 1.15:1. Pulses are defined as missing when the RF energy level is less than 70% of the normal energy level in a 0.5% frequency range. Missing pulses are expressed as a percentage of the number of input pulses applied during the period of observation after a period of 10 minutes operation.
- Measured with heater voltage of 14 V and no anode input power, the heater current limits are 7.0 A minimum, 9.0 A maximum.

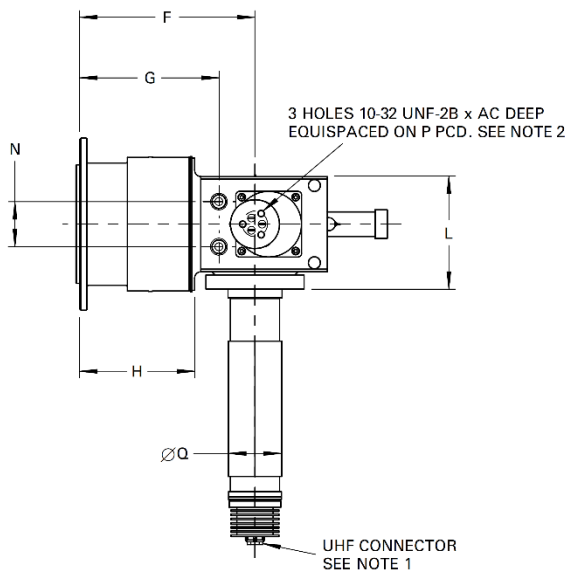
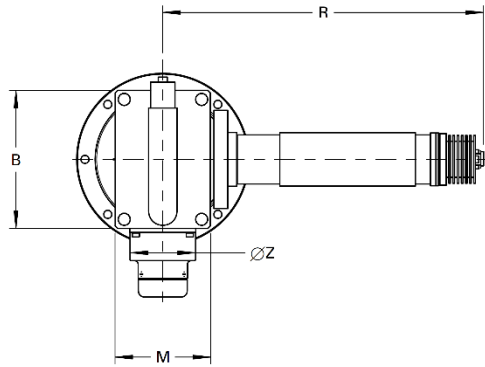
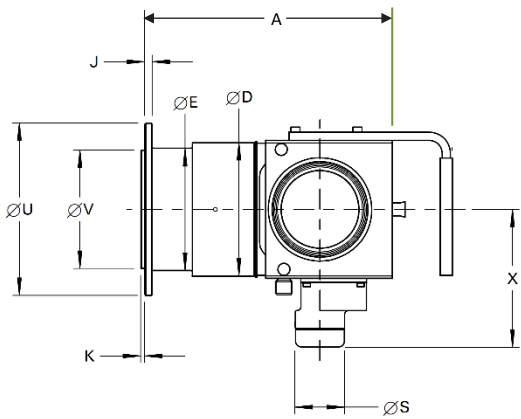
## HEATER VOLTAGE REDUCTION SCHEDULE



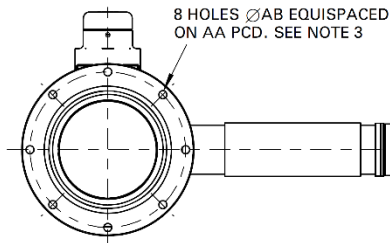
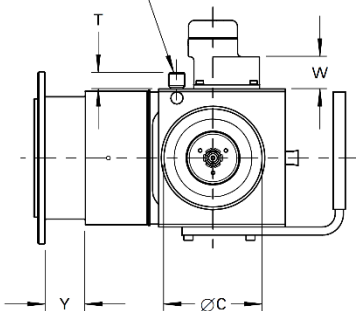
## RECOMMENDED PARAMETERS FOR VARIOUS POWER LEVELS



# OUTLINE (All dimensions without limits are nominal)



WATER JACKET CONNECTORS  
THREADED 1/4" BSP



Ref	Millimetres
A	238.0 ± 2.0
B	107.0 ± 0.3
C	76.25 ± 0.25
D	105.5 max
E	94.85 ± 0.15
F	135.50 ± 0.25
G	107.65 ± 0.50
H	89.0 ± 1.0
J	5.55 ± 0.05
K	3.20 ± 0.05
L	88.0 max
M	73.82 ± 0.20
N	34.50 ± 0.25
P	19.05
Q	41.0 ± 1.0
R	251.0 ± 5.0
S	38.0 ± 1.0
T	12.5 ± 0.5
U	133.50 ± 0.25
V	91.82 ± 0.05
W	25.00 ± 0.25
X	107.0 ± 1.0
Y	31.15 ± 1.00
Z	51.0 ± 1.0
AA	120.65 ± 0.10
AB	6.41 ± 0.04
AC	6.5 ± 1.0

## Outline Notes

1. This is a Fischer connector, DBP rear-mounted panel receptacle series 103A026, and mates with HT cable assemblies MA6191, MA6291 and MA6192. These are available from Teledyne e2v; contact the company for further details.
2. Positional tolerance 0.05 mm diameter.
3. Positional tolerance 0.15 mm diameter.

## HEALTH AND SAFETY HAZARDS

Teledyne e2v magnetrons are safe to handle and operate provided that the relevant precautions stated herein are observed. Teledyne e2v does not accept responsibility for damage or injury resulting from the use of electronic devices it produces. Equipment manufacturers and users must ensure that adequate precautions are taken. Appropriate warning labels and notices must be provided on equipment incorporating Teledyne e2v devices and in operating manuals.



### High Voltage

Equipment must be designed so that personnel cannot come into contact with high voltage circuits. All high voltage circuits and terminals must be enclosed and fail-safe interlock switches must be fitted to disconnect the primary power supply and discharge all high voltage capacitors and other stored charges before allowing access. Interlock switches must not be bypassed to allow operation with access door open.



### RF Radiation

Personnel must not be exposed to excessive RF radiation. All RF connectors must be correctly fitted before operation so that no leakage of RF energy can occur and the RF output must be coupled efficiently to the load. It is particularly dangerous to look into open waveguide or coaxial feeders while the device is energized. Screening of the cathode sidearm of high power magnetrons may be necessary.



### X-Ray Radiation

High voltage magnetrons emit a significant intensity of X-rays not only from the cathode sidearm but also from the output waveguide. These rays can constitute a health hazard unless adequate shielding of X-ray radiation is provided. This is a characteristic of all magnetrons and the X-rays emitted correspond to a voltage much higher than that of the anode.