

## Features and Benefits

- **QE > 90% beyond 800 nm, optimized for NIR**  
Very high detector sensitivity in near infra-red
- **5 MHz and 3 MHz readout speeds**  
Rapid frame rates for high throughput cell inspection
- **Dual Exposure Ring Mode**  
Unique acquisition mode for exposure time switching
- **Fringe Suppression Technology™**  
Minimizes etaloning effects in the NIR, optimizes optical resolution
- **UltraVac™ \*1**  
Critical for sustained vacuum integrity and to maintain unequalled cooling and QE performance, year after year
- **Single AR-coated window design**  
NIR optimized anti-reflection coating
- **Thermoelectric cooling to -70°C (air cooled)**  
Critical for elimination of dark current detection limit
- **Lockable USB connection**  
Ensures secure, vibration resistant connectivity
- **Cooling on power-up**  
PV Inspector does not require PC connectivity to maintain stable thermoelectric cooling
- **Enhanced Baseline Clamp**  
Essential for quantitative accuracy of dynamic measurements
- **13 x 13 µm pixel size**  
Optimal balance of dynamic range and resolution
- **Integrated shutter (optional)**  
High dynamic range and 16-bit digitization available
- **Andor Solis software / SDK (Linux SDK available)**  
Friendly Windows user interface offers intuitive acquisition optimization, system integration, automation and advanced data manipulation facilities
- **Halcon software interface**  
Compatibility of PV Inspector acquisition modes with this powerful image processing library
- **Integrated in EPICS**  
Platform is fully integrated into the EPICS control software



## NIR optimized CCD for high throughput In-line Electro- and Photoluminescence Inspection of PV Cells

Andor's iKon-M PV Inspector is designed to offer ultimate speed and sensitivity performance for in-line Electro- and Photoluminescence Inspection, delivering > 90% QE beyond 800 nm. In standard back-illuminated CCD and EMCCD cameras, NIR light is reflected within the sensor causing interference patterns (etaloning) which significantly reduce the MTF and thus the resolution of the image. The PV Inspector is equipped with a deep depleted sensor incorporating Fringe Suppression Technology™ which almost completely eliminates etaloning.

The 1024 x 1024 array boasts high resolution 13 µm pixels, and benefits from negligible dark current with thermoelectric cooling down to -70°C. PV Inspector offers industry highest throughput via rapid readout speeds up to 5 MHz, combined with a unique 'Dual Exposure Ring Mode' that allows fast exposure switching, without re-programming time overhead. A lockable USB 2.0 port ensures secure industry safe, vibration resistant connectivity. PV Inspector is ideally suited for very fast running PV inspection systems as found in Stringers and Cell Sorters.

## Specifications Summary<sup>\*2</sup>

Active pixels	1024 x 1024
Sensor size	13.3 x 13.3 mm
Pixel size (W x H)	13 µm x 13 µm
Active area pixel well depth (typical)	100,000 e <sup>-</sup>
Maximum readout rate	5 MHz
Read noise	As low as 9 e <sup>-</sup> @ 3 MHz
Maximum cooling	-70°C
Frame rate	Up to 4.4 fps (full frame)

## System Specifications<sup>\*2</sup>

Sensor option	BR-DD: Back Illuminated CCD, Deep Depletion with fringe suppression. Optimum sensor for Near IR applications.
Active pixels	1024 x 1024
Pixel size	13 x 13 $\mu\text{m}$
Image area	13.3 x 13.3 mm with 100% fill factor
Minimum temperature air cooled (25°C ambient)	-70°C
Digitization	16 bit
Blemish specifications	Grade 1 sensor from supplier. Camera blemishes as defined by Andor Grade A <a href="https://andor.oxinst.com/learning/view/article/ccd-blemishes-and-non-uniformities">https://andor.oxinst.com/learning/view/article/ccd-blemishes-and-non-uniformities</a>
System window type	Single AR-coated UV-grade fused silica (NIR optimised)
Interface	Lockable USB 2.0
Lens mount	C-mount (other mounts available on request)

## Advanced Performance Specifications<sup>\*2</sup>

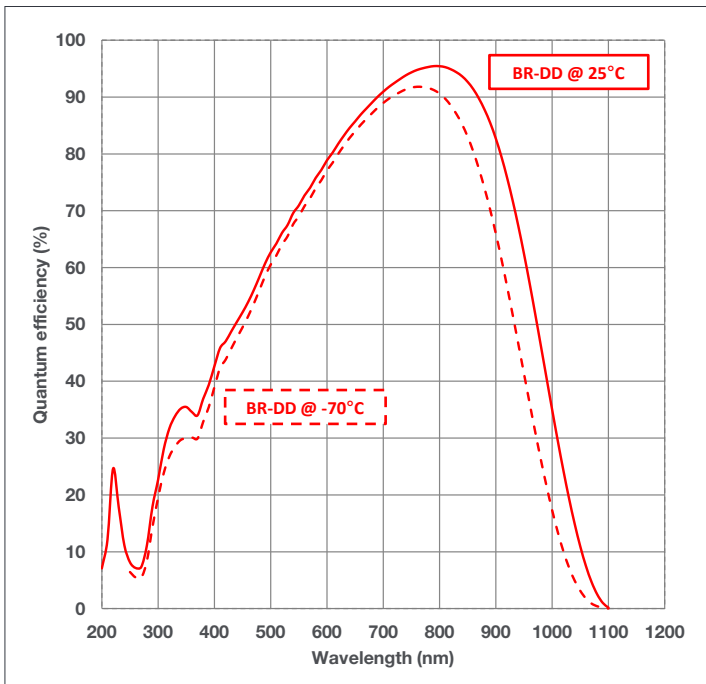
Dark current, e <sup>-</sup> /pixel/sec @ -70°C <sup>*3</sup>	0.14
Pixel readout rates	5, 3 MHz
Pixel well depth	100,000 e <sup>-</sup>
Read noise (e <sup>-</sup> ) <sup>*4</sup>	
3 MHz	9.0
5 MHz	14.0
Linearity <sup>*5</sup>	Better than 99%
Vertical clock speed	4.25 to 64.25 $\mu\text{s}$ (software selectable)
Dual exposure cycle time <sup>*6</sup>	500 ms
Exposure switching time	Negligible
Array size compatibility	Full image only

## Frame Rates<sup>\*7</sup>

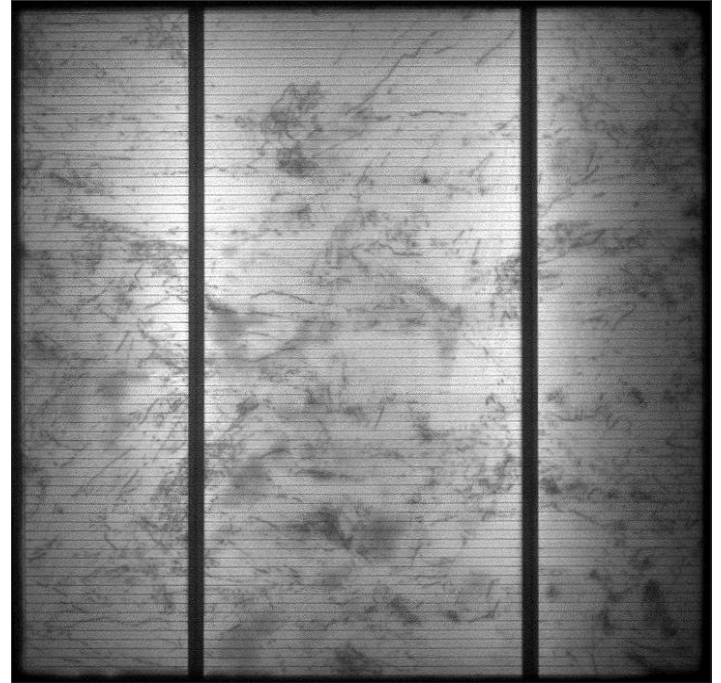
3 MHz				
Binning	Full Frame	512 x 512	256 x 256	128 x 128
1 x 1	2.6	5.2	10.0	18.6
2 x 2	6.3	10.9	19.3	33.2
4 x 4	13.4	20.9	34.2	53.5
8 x 8	25.1	36.3	54.4	76.5
16 x 16	41.5	56.1	76.5	97.1

5 MHz				
Binning	Full Frame	512 x 512	256 x 256	128 x 128
1 x 1	4.4	8.5	16.0	28.8
2 x 2	8.4	15.9	28.5	47.6
4 x 4	15.6	28.1	47.0	70.8
8 x 8	27.3	45.8	69.4	93.5
16 x 16	43.6	66.9	91.2	111.5

## Quantum Efficiency Curves <sup>\*8</sup>

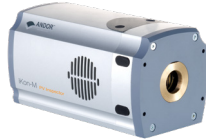


## Application Image



An Electro-luminescence image of a multi-crystalline photovoltaic cell taken with the PV Inspector camera.  
Exposure time 100 ms, read-out rate 5 MHz, total imaging-cycle time less than 350 ms.

## Creating The Optimum Product for You



DU934P-C **S** V-BR-DD  
example shown

### Step 1. Choose the shutter option



Shutter

Description	Code
Integrated shutter	<b>S</b>
No Shutter	<b>0</b>

### Step 2. Select the required accessories and adapters



Accessories & Adapters

Description	Order Code
C-mount to Nikon AF adapter	<b>OA-CNAF</b>
C-mount to Olympus F-mount adapter	<b>OA-COFM</b>
C-mount to T-mount adapter	<b>OA-CTOT</b>
Auto extension tubes (set of 3) for Canon AF	<b>OA-ECAF</b>
Auto extension tubes (set of 3) for C-mount	<b>OA-ECMT</b>
Auto extension tubes (set of 3) for Nikon AF	<b>OA-ENAF</b>
USB Extender: Icron USB 2.0 Ranger 2201 (supports up to 100 m) - EU/UK/US	<b>ACC-USBX-EU</b> <b>ACC-USBX-UK</b> <b>ACC-USBX-US</b>
30 m Ethernet cable (for use with the above ACC-USBX-** USB extenders)	<b>ACC-ELC-13295</b>

### Step 3. Select the required software



Software

**The iKon-M PV requires at least one of the following software options:**

**Solis for Imaging** A 32-bit and fully 64-bit enabled application for Windows (7, 8, 8.1 and 10) Linux and Labview, offering rich functionality for data acquisition and processing. AndorBasic provides macro language control of data acquisition, processing, display and export.

**Andor SDK** A software development kit that allows you to control the Andor range of cameras from your own application. Available as 32/64-bit libraries for Windows (7, 8, 8.1 and 10), compatible with C/C++, C#, Delphi, VB.NET, LabVIEW and Matlab. Linux SDK compatible with C/C++.

**Third party software compatibility** Drivers are available so that the iKon-M PV can be operated through the Halcon package.

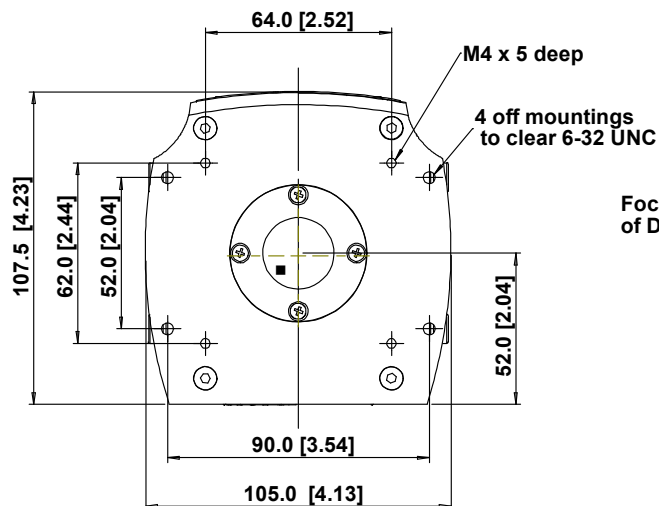
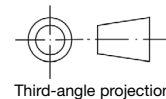
## Have you found what you are looking for?

**Need a multi-megapixel solution?** Loaded with FPGA intelligence, the Zyla and vacuum cooled Neo sCMOS are designed to drive optimal performance from this exciting and innovative new technology development. Unlike any CMOS or CCD technology to come before it, sCMOS sets radical new benchmarks in its unique ability to simultaneously deliver highest specifications in sensitivity, resolution, speed, dynamic range and field-of-view: high-end imaging with ultimate sensitivity. Best suited for module inspection in Laminators and Flashers.

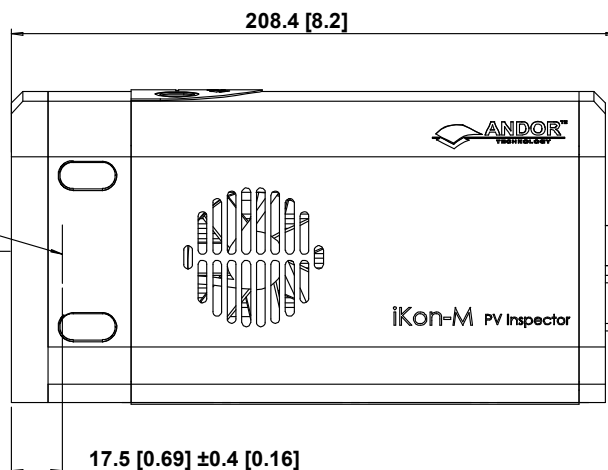
**Need a customised version?** Please contact us to discuss our Customer Special Request options.

## Product Drawings

Dimensions in mm [inches]



Focal Plane of Detector



■ = position of pixel 1,1

Weight: 2.2 kg [4 lb 13 oz]

## Connecting to the iKon-M PV

### Camera Control

Connector type: USB 2.0 with optional lockable connector

### TTL / Logic

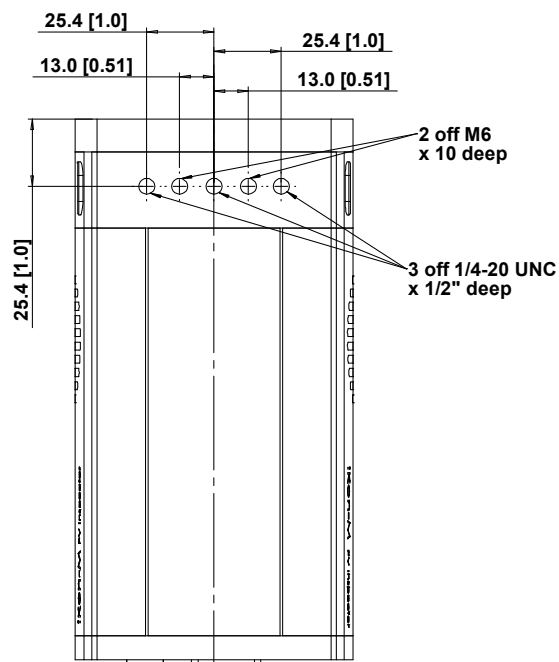
Connector type: SMB, provided with SMB - BNC cable  
Fire (Output), External Trigger (Input), Shutter (Output)

### I<sup>2</sup>C connector

Compatible with Fischer SC102A054-130  
Shutter (TTL), I<sup>2</sup>C Clock, I<sup>2</sup>C Data, +5 Vdc, Ground

### Minimum cable clearance required at rear of camera

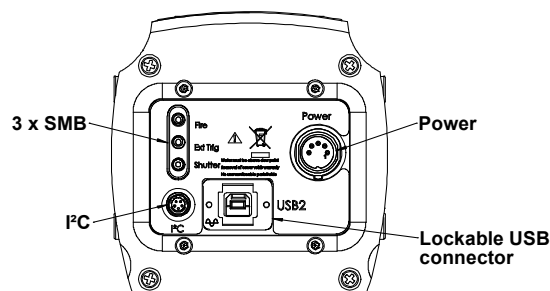
90 mm



Mounting hole locations

## Applications Guide

- ✓ Electroluminescence Inspection
- ✓ Photoluminescence Inspection
- ✓ In-line Solar Cell Inspection
- ✓ Machine Vision



Rear connector panel





## Order Today

Need more information? At Andor we are committed to finding the correct solution for you. With a dedicated team of technical advisors, we are able to offer you one-to-one guidance and technical support on all Andor products. For a full listing of our regional sales offices, please see: [www.andor.com/contact](http://www.andor.com/contact)

Our regional headquarters are:

### Europe

Belfast, Northern Ireland  
Phone +44 (28) 9023 7126  
Fax +44 (28) 9031 0792

### Japan

Tokyo  
Phone +81 (3) 6732 8968  
Fax +81 (3) 6732 8939

### North America

Concord, MA, USA  
Phone +1 (860) 290 9211  
Fax +1 (860) 290 9566

### China

Beijing  
Phone +86 (10) 8271 9066  
Fax +86 (10) 8271 9055

### Items shipped with your camera

- 2x 5 m BNC - SMB connection cable
- 1x 5 m Lockable USB 2.0 cable Type A to Type B
- 1x Power supply with mains cable
- 1x CD containing Andor user guides
- 1x Individual system performance booklet

**Footnotes:** Specifications are subject to change without notice

1. Assembled in a state-of-the-art cleanroom facility, Andor's UltraVac™ vacuum process combines a permanent hermetic vacuum seal (no o-rings), with a stringent protocol to minimize outgassing, including use of proprietary material.
2. Figures are typical unless otherwise stated.
3. The dark current measurement is averaged over the sensor area excluding any regions of blemishes.
4. Readout noise is for the entire system. It is a combination of sensor readout noise and A/D noise. Measurement is for Single Pixel readout with the sensor at a temperature of -70°C and minimum exposure time under dark conditions.
5. Linearity is measured from a plot of counts vs exposure time under constant photon flux up to the saturation point of the system.
6. The cycle time associated with Dual Exposure Ring Mode describes the time to read out two consecutive images of same or different exposure time in this mode. It assumes exposure times of 10 μs, 5 MHz horizontal readout and 4.25 μs vertical shift time. The cycle time would increase accordingly with use of longer exposure times, which may be of different durations. Note, this mode is only compatible with external trigger.
7. The frame rates shown are for a range of binning or array size combinations. All measurements are made with 4.25 μs vertical shift speed. It also assumes internal trigger mode of operation and minimum exposure time.
8. Quantum efficiency of the sensor at 25°C and -70°C as measured by the sensor manufacturer.



### Minimum Computer Requirements:

- 3.0 GHz single core or 2.4 GHz multi core processor
- 2 GB RAM
- 100 MB free hard disc to install software (at least 1GB recommended for data spooling)
- USB 2.0 High Speed Host Controller capable of sustained rate of 40MB/s
- Windows (7, 8, 8.1 and 10) or Linux

### Operating & Storage Conditions

- Operating Temperature: 0°C to 30°C ambient
- Relative Humidity: < 70% (non-condensing)
- Storage Temperature: -25°C to 50°C

### Power Requirements

- 100 - 240 VAC, 50 - 60 Hz



Windows is a registered trademark of Microsoft Corporation. Halcon is a registered trademark of MVTec Software GmbH.